

# UCR Chemistry Department Chemical Hygiene Plan

<b>UCR CHEMISTRY DEPARTMENT CHEMICAL HYGIENE PLAN .....</b>	<b>1</b>
<i>Purpose</i> .....	3
<i>Scope</i> .....	3
<b>RIGHTS AND RESPONSIBILITIES .....</b>	<b>4</b>
<i>Responsibilities of the Chancellor</i> .....	4
<i>Responsibilities of Vice Chancellors, Deans, and Executive Officers</i> .....	4
<i>Responsibilities of Principal Investigator (PI), Faculty or other Laboratory Supervisor</i> .....	4
<i>Responsibilities of All Personnel Who Handle Hazardous Chemicals</i> .....	6
<i>Responsibilities of the Departmental Laboratory Safety Officer</i> .....	6
<i>Responsibilities of the Environmental Health and Safety Department</i> .....	7
<b>CHEMICAL HAZARD COMMUNICATION .....</b>	<b>7</b>
<i>Hazard Communication Standard</i> .....	8
The Cal/OSHA Lab Standard definitions:.....	8
List of Hazardous Substances .....	8
Hazard Determination .....	8
Safety Data Sheets (SDS) .....	9
Labels, Signs and other forms of Warning .....	9
<i>Employee Information and Training</i> .....	10
<b>UCR HAZARD ASSESSMENT &amp; CONTROL SELECTION TOOL (HACS)</b> .....	10
Additional Resources .....	10
<b>CLASSES OF HAZARDOUS CHEMICALS .....</b>	<b>11</b>
<b>IDENTIFICATION &amp; CLASSIFICATION OF HAZARDOUS CHEMICALS .....</b>	<b>11</b>
<i>Flammability Hazards</i> .....	11
<i>Reactivity Hazards</i> .....	12
<i>Health Hazards</i> .....	12
<i>Corrosive Substances</i> .....	12
<i>Irritants</i> .....	13
<i>Sensitizer</i> .....	13
<i>Hazardous Substances with Toxic Effects on Specific Organs</i> .....	13
<i>Particularly Hazardous Substances</i> .....	13
Acute Toxins .....	14
Reproductive Toxins .....	14
Carcinogens.....	14
<b>HOW TO REDUCE EXPOSURES TO HAZARDOUS CHEMICALS .....</b>	<b>15</b>
<b>SAFETY CONTROLS .....</b>	<b>16</b>
<i>Engineering Controls</i> .....	16
Fume Hoods .....	16
General Rules for Fume Hood Use .....	17
Glove Boxes and Ventilation Devices .....	17
Other Engineering Controls.....	18
<i>Administrative Controls</i> .....	18
Standard Operating Procedures .....	18
<i>Personal Protective Equipment</i> .....	19
How to Use and Maintain PPE.....	20
Contaminated Clothing/PPE .....	20
Respiratory Protection .....	20
<b>LABORATORY SAFETY AND EMERGENCY RESPONSE EQUIPMENT .....</b>	<b>22</b>
<i>Fire Extinguishers</i> .....	22
<i>Safety Showers and Eyewash Stations</i> .....	22
<i>Fire Doors</i> .....	23
<i>Safe Laboratory Habits</i> .....	23
<b>CHEMICAL EXPOSURE ASSESSMENT.....</b>	<b>24</b>

<i>Regulatory Overview</i> .....	24
<i>Exposure Assessment Overview</i> .....	25
<i>Exposure Assessment Protocol</i> .....	25
Notification.....	26
Exposure Assessment Use To Determine and Implement Controls.....	26
Medical Evaluation.....	27
Information to Provide to the Clinician.....	28
Physician's Written Opinion.....	28
Confidentiality & Individual's Access to Personal Medical Records.....	28
Medical Surveillance.....	28
<b>CHEMICAL INVENTORY, LABELING, STORAGE AND TRANSPORTATION.....</b>	<b>29</b>
CHEMICAL INVENTORIES.....	29
CHEMICAL LABELING.....	30
CHEMICAL STORAGE & SEGREGATION.....	30
Safe Chemical Storage Priorities Table.....	31
<i>General Recommendations for Safe Storage of Chemicals</i> .....	31
Flammable and Combustible Liquids.....	32
Pyrophoric & Water Reactive Substances.....	32
Oxidizers.....	33
Peroxide Forming Chemicals.....	33
Corrosives.....	34
<i>SPECIAL STORAGE REQUIREMENTS</i> .....	34
Compressed Gas Cylinders.....	34
Liquid Nitrogen.....	35
<i>On-Campus Distribution of Hazardous Chemicals</i> .....	35
<i>Off Campus Distribution of Hazardous Chemicals</i> .....	36
<b>TRAINING.....</b>	<b>36</b>
TYPES OF TRAINING.....	36
<i>General Laboratory Safety Training</i> .....	36
<i>Laboratory-Specific Training</i> .....	37
Resources.....	37
<i>Documentation of Training</i> .....	38
<b>AUDITS AND COMPLIANCE.....</b>	<b>38</b>
LABORATORY SAFETY AUDITS.....	38
<i>NOTIFICATION AND ACCOUNTABILITY</i> .....	39
RECORDKEEPING REQUIREMENTS.....	39
<b>HAZARDOUS CHEMICAL WASTE MANAGEMENT.....</b>	<b>40</b>
HAZARDOUS WASTE PROGRAM.....	40
<i>Regulation of Hazardous Waste</i> .....	40
DEFINITION OF HAZARDOUS WASTE.....	40
Extremely Hazardous Waste.....	41
PROPER HAZARDOUS WASTE MANAGEMENT.....	41
<i>Training</i> .....	41
<i>Waste Identification</i> .....	41
<i>Labeling</i> .....	42
Online Tag Program.....	42
How to Create an Account.....	42
How to Use OTP.....	42
Storage.....	42
Segregation.....	43
Incompatible Waste Streams.....	43
<i>Wastes That Require Special Handling</i> .....	43
Unknowns.....	43
Peroxide Forming Chemicals.....	43

Dry Picric Acid.....	44
Explosives and Compounds with Shipping Restrictions.....	44
<i>Managing Empty Containers.....</i>	45
<i>Transportation.....</i>	45
<i>Disposal.....</i>	45
<i>Hazardous Waste Minimization.....</i>	45
Drain Disposal.....	46
BENCH TOP TREATMENT.....	46
<b>ACCIDENTS AND CHEMICAL SPILLS.....</b>	<b>46</b>
ACCIDENTS.....	46
UCR Laboratory Safety Rules.....	47
FIRE-RELATED EMERGENCIES.....	48
CHEMICAL SPILLS.....	48
Factors to Consider before Spill Clean-Up.....	48
<i>What to do with a Small Chemical Spill.....</i>	49
DO NOT ADD WATER TO THE SPILL.....	49
<i>WHAT TO DO WITH A LARGE CHEMICAL SPILL.....</i>	49
Highly Toxic Chemical Spills.....	50
DEFINITIONS.....	50
<i>Resource Documents.....</i>	55

## Introduction

### Purpose

The UCR Chemical Hygiene Plan (CHP) establishes a formal written program for protecting laboratory personnel against adverse health and safety hazards associated with exposure to potentially hazardous chemicals and must be made available to all employees working with hazardous chemicals. The CHP describes the proper use and handling practices and procedures to be followed by faculty, staff, students, visiting scholars, and all other personnel working with potentially hazardous chemicals in laboratory settings. This plan is based on best practices identified in, among others sources, “Prudent Practices for Handling Hazardous Chemicals in Laboratories,” published by the National Research Council, and the American Chemical Society’s “Safety in Academic Chemistry Laboratories” ([www.acs.org](http://www.acs.org)).

### Scope

The Chemistry Department CHP applies to laboratories that use, store or handle potentially hazardous chemicals and all personnel who work in these facilities. This document will be part of the IIPP for each department. The CHP does not apply to research involving exclusively radiological materials, radiation producing machines, biological materials, or lasers, as these safety procedures and regulatory requirements are outlined in the [Radiation Safety Manual](#), [Manual for Radiation Producing Machines](#), Biosafety Manual ([under development](#)), and [Laser Safety Manual](#) respectively. Research involving more than one type of hazard must comply with all applicable regulatory requirements and follow guidance outlined in the relevant safety manuals. Laboratory personnel in compliance with the Chemical Hygiene Plan are not required to comply with the Hazard Communication component of the IIPP.

The information presented in the CHP represents best practices and provides a broad overview of the information necessary for the safe operation of laboratories that utilize

potentially hazardous chemicals. It is not intended to be all inclusive. Departments, divisions or other work units engaged in work with potentially hazardous chemicals that have unusual characteristics, or are otherwise not sufficiently covered in the written CHP, must customize the document by adding additional sections addressing the hazards and how to mitigate their risks, as appropriate. Such customizations must receive prior approval from the PI/Laboratory Supervisor and/or the UCR Office of Environmental Health and Safety (EH&S). For information on specific chemical safety topics not covered in the CHP, please contact the EH&S at:

The Chemistry Department has developed and is implementing this Departmental Chemical Hygiene Plan and designates the following persons: Dr. Kevin Simpson & Dr. Rena Hayashi, responsible for the implementation, oversight, and annual review of this Departmental CHP

### ***Rights and Responsibilities***

Employees and other personnel who work in laboratories have the right to be informed about the potential health hazards of the chemicals in their work areas and to be properly trained to work safely with these substances. This includes custodial staff and other personnel who work to clean and maintain laboratories.

Employees have the right to file a complaint with Cal/OSHA if they feel they are being exposed to unsafe or unhealthy work conditions and cannot be discharged, suspended, or otherwise disciplined by their employer for filing a complaint or exercising these rights. All personnel working with hazardous chemicals are encouraged to report (anonymously, if preferred) any concerns about unsafe work conditions to the EH&S at:

[www.ehs.ucr.edu/forms/hazardreport.html](http://www.ehs.ucr.edu/forms/hazardreport.html)

### **Responsibilities of the Chancellor**

- Implementing the University's Environmental Health and Safety policies at all facilities under campus control.

### **Responsibilities of Vice Chancellors, Deans, and Executive Officers**

- Insuring that departments/units under their authority that are engaged in the laboratory use of hazardous chemicals comply with the Chemical Hygiene Plan (CHP) applicable to each unit.

### **Responsibilities of Principal Investigator (PI), Faculty or other Laboratory Supervisor**

The PI/Laboratory Supervisor has responsibility for the health and safety of all personnel working in his or her laboratory who handle hazardous chemicals. The PI/Laboratory Supervisor may delegate safety duties, but remains responsible for ensuring that delegated safety duties are adequately performed. **The PI/Laboratory Supervisor is responsible for:**

- Knowing all applicable health and safety rules and regulations, training and reporting requirements and standard operating procedures associated with chemical safety for regulated substances

- Identifying hazardous conditions or operations in the laboratory or other facility containing hazardous chemicals and determining safe procedures and controls, and implementing and enforcing standard safety procedures
- Conducting a formal hazard assessment in order to mitigate the hazards found.
- Establishing standard safety operating procedures (general and protocol specific) and performing literature searches relevant to health and safety for laboratory-specific work;
- Providing prior-approval for the use of hazardous chemicals in the PI/Laboratory Supervisor's laboratory or other facility with hazardous chemicals
- Consulting with EH&S on the use of higher risk materials, such as use of particularly hazardous substances, , or conducting higher risk experimental procedures so that special safety precautions may be taken;
- Maintaining an updated chemical inventory for the laboratory or facility
- Ensuring laboratory or other personnel under his/her supervision have access to and are familiar with the appropriate Safety Manual(s)
- Training all laboratory or other personnel he/she supervises to work safely with hazardous materials and maintain written records of laboratory-specific or other specialized training in the appropriate Safety Manual(s). Electronic records of training are encouraged. Training must include information of the location and availability of hazard information ([www.ehs.ucr.edu/training](http://www.ehs.ucr.edu/training))
- Promptly notifying EH&S and/or Facilities Management should he/she become aware that work place engineering controls (e.g., fume hoods) and safety equipment (e.g., emergency showers/eyewashes, fire extinguishers, etc.) become bypassed, disabled or non-operational;
- Ensuring the availability of all appropriate personal protective equipment (PPE) which properly fits the wearer (e.g., laboratory coats, gloves, eye protection, etc.), training on the selection, care, use and proper storage, ensuring the PPE is maintained in working order;
- Promptly reporting of accidents and injuries to EH&S. Fatalities and serious injuries MUST be reported to EH&S immediately to allow for compliance with the CAL/OSHA 8-hour reporting time frame. Any doubt as to whether an injury is serious should favor reporting; For the Chemistry & Biochemistry departments any severe accident, the UCPD must be contacted to help secure the evidence and EH&S contacted right away.
- Provide funding for exposure monitoring and medical surveillance and/or medical consultation and examination for laboratory and other personnel, as required; contact the Safety & Industrial Hygiene Manager for assistance ([www.ehs.ucr.edu/about/index.html#staff](http://www.ehs.ucr.edu/about/index.html#staff))
- Informing facilities personnel, other non-laboratory personnel and any outside contractors of potential laboratory-related hazards when they are required to work in the laboratory environment; and
- Identifying and minimizing potential hazards to provide a safe environment for repairs and renovations.
- Ensure that Standard Operating Procedures(SOPs) are written and maintained in the Laboratory Safety Manual

## Responsibilities of All Personnel Who Handle Hazardous Chemicals

All personnel in research or teaching laboratories that use, handle or store hazardous chemicals are responsible for:

- Reviewing and following requirements of the CHP and all appropriate Safety Manuals and Policies
- Following all verbal and written laboratory safety rules, regulations, and standard operating procedures required for the tasks assigned
- Following the [UCLA Procedures for Safe use of Pyrophoric Liquid Reagents](#) when using butyl-lithium
- Developing good personal chemical hygiene habits, including but not limited to, keeping the work areas safe and uncluttered;
- Planning, reviewing and understanding the hazards of materials and processes in their laboratory research or other work procedures prior to conducting work;
- Utilizing appropriate measures to control identified hazards, including consistent and proper use of engineering controls, personal protective equipment, and administrative controls;
- Understanding the capabilities and limitations of PPE issued to them;
- Gaining prior approval from the PI/Laboratory Supervisor for the use of restricted chemicals and other materials;
- Consulting with PI/Laboratory Supervisor before using these particularly hazardous substances (PHS), explosives and other highly hazardous materials or conducting certain higher risk experimental procedures;
- Immediately reporting all accidents and unsafe conditions to the PI/Laboratory Supervisor;
- Completing all required health, safety and environmental training and providing written documentation to their supervisor;
- Participating in the medical surveillance program, when required
- Informing the PI/Laboratory Supervisor of any work modifications ordered by a physician as a result of medical surveillance, occupational injury or exposure; and
- When working autonomously or performing independent research or work:
  - Reviewing the plan or scope of work for their proposed research with the PI/Laboratory Supervisor
  - Notifying in writing and consulting with the PI/Laboratory Supervisor, in advance, if they intend to significantly deviate from previously reviewed procedures (Note: Significant change may include, but is not limited to, change in the objectives, change in PI, change in the duration, quantity, frequency, temperature or location, increase or change in PPE, and reduction or elimination of engineering controls.)
  - Preparing SOPs and performing literature searches relevant to safety and health that are appropriate for their work; and
  - Providing appropriate oversight, training and safety information to laboratory or other personnel they supervise or direct.

## Responsibilities of the Departmental Laboratory Safety Officer

- Preparing and reviewing (at least annually) the departmental Chemical Hygiene Plan and other departmental specific documents in the Lab Safety Manual



- Providing guidance and support to the departmental and organizational safety committees
- Providing technical assistance to laboratory workers.
- Facilitating the implementation of the Chemical Hygiene Plan and assisting in establishing a safe work environment by collaborating with EH&S, faculty, other researchers and lab personnel
- Providing guidance on laboratory safety compliance and technical subjects
- Coordinating or providing training on occupational health and safety requirements
- Serving as a liaison between the laboratory and EH&S in helping maintain safety and regulatory information, including Safety Data Sheets (SDS) formerly known as Material Safety Data Sheets (MSDS)
- Requesting information and clarification on regulatory requirements from EH&S
- Assisting EH&S in evaluating program effectiveness
- Assisting in responding to any regulatory actions or investigations
- Communicating with the department chair/director, business officer and faculty on laboratory safety and injury/illness prevention efforts and activity
- Participating in the development of the department emergency operations plan
- Assisting the Building Supervisor for Emergency Conditions (BSEC) and Building Emergency Staff (BES) with emergency management planning and response as needed
- Attending and participating in the every-other monthly Laboratory Safety Officer's Committee meetings
- Encouraging compliance with the [Lab Safety Rules](#)

The Laboratory Safety Officers for the Chemistry Department are Dr. Kevin Simpson & Dr. Rena Hayashi.

### **Responsibilities of the Environmental Health and Safety Department**

- Updating the campus CHP template
- Assisting in the development and annual review of departmental and individual Chemical Hygiene Plans.
- Acting as the liaison and coordinator to the departmental Laboratory Safety Officer
- Providing technical guidance in the development and implementation of the Chemical Hygiene Plan.

### ***Chemical Hazard Communication***

Subsequent to the passage of the Federal Occupational Safety and Health Act in 1971, the California Hazard Communication Standard [8CCR5194](#), was established in December of 1981. Because the regulation was highly prescriptive, the laboratory community successfully campaigned for a more performance based standard and after federal adoption, California adopted the Laboratory Standard, [8CCR5191](#) in March of 1991. Unless the activities in which an employee is engaged meets the definition of a “laboratory” found in the Lab Standard, the requirements for use, communication, labeling, training, etc., of hazardous chemicals at UCR must comply with the California Hazard Communication Standard.

## Hazard Communication Standard

UCR has an established Hazard Communication Program that complies the Cal/OSHA Hazard Communication Standard. ([www.ehs.ucr.edu/safety/Haz\\_Com/hazard\\_communication.html](http://www.ehs.ucr.edu/safety/Haz_Com/hazard_communication.html)) ([www.dir.ca.gov/title8/5194.html](http://www.dir.ca.gov/title8/5194.html)). The purpose of UCR's Hazard Communication Program is to ensure that all employees and, upon request, their personal physicians, have the right to receive information regarding the hazardous substances to which they may have been exposed at work. The requirements of the Hazard Communication Program apply to those locations and activities specifically excluded from the Cal/OSHA Laboratory Standard environments.

### The Cal/OSHA Lab Standard definitions:

**Laboratory.** A facility where the "laboratory use of hazardous chemicals" occurs. It is a workplace where relatively small quantities of hazardous chemicals are used on a non-production basis.

**Laboratory use of hazardous chemicals.** Handling or use of such chemicals in which all of the following conditions are met:

1. Chemical manipulations are carried out on a "laboratory scale";
2. Multiple chemical procedures or chemicals are used;
3. The procedures involved are not part of a production process, nor in any way simulate a production process; and
4. "Protective laboratory practices and equipment" are available and in common use industry-wide to minimize the potential for employee exposure to hazardous chemicals.

**Laboratory scale.** Work with substances in which the containers used for reactions, transfers, and other handling of substances are designed to be easily and safely manipulated by one person. "Laboratory scale" excludes those workplaces whose function is to produce commercial quantities of materials.

Due to these definitions, it is possible for some operations with what would otherwise seem like a lab, to be required to comply with the Hazard Communication Standard.

In both cases, UCR is responsible for providing information about the hazardous substances in our workplace, the associated hazards, and the control of these hazards, through a comprehensive hazard communication program. Proper hazard communication involves the active participation of the PI, the Laboratory Safety Officer and Environmental Health and Safety, who are each responsible for providing consultation and safety information to employees working with hazardous chemicals.

### List of Hazardous Substances

All labs are required to keep their on-line chemical inventory updated at least every 60 days for each hazardous substance on their possession, specific information on any associated health or safety hazards must be made readily available to all laboratory personnel, typically through Safety Data Sheets ([www.ehs.ucr.edu/services/msds.html](http://www.ehs.ucr.edu/services/msds.html)).

### Hazard Determination

Faculty/Other Laboratory Supervisors are responsible for verifying if any items on their chemical inventory are subject to the requirements of the hazard communication regulation.



The term “hazardous substance” refers to any chemical for which there is statistically significant evidence based on at least one study conducted in accordance with established scientific principles that acute or chronic health effects may occur in exposed individuals. Hazardous substances may include, but are not limited to, those chemicals listed in the following:

1. “The Hazardous Substance List”, prepared by the Cal/OSHA Director 8CCR339 ([www.dir.ca.gov/title8/339.html](http://www.dir.ca.gov/title8/339.html));
2. “Toxic and Hazardous Substances, Air Contaminants”, 8CCR5155 ([www.dir.ca.gov/title8/5155.html](http://www.dir.ca.gov/title8/5155.html))
3. “Threshold Limit Values for Chemical Substances in the Work Environment”, ACGIH, 2004;
4. Most Recent “Annual Report on Carcinogens”, NTP  
<http://ntp.niehs.nih.gov/ntp/roc/twelfth/roc12.pdf>
5. “Monographs”, IARC, WHO ([www.iarc.fr/en/publications/list/monographs](http://www.iarc.fr/en/publications/list/monographs))
6. MSDSs for reproductive toxins and cancer causing substances (<http://map.ais.ucla.edu/go/1002824>); and
7. “Chemicals Known to the State to Cause Cancer or Reproductive Toxicity” (Proposition 65), 22CCR12000 <http://oehha.ca.gov/prop65/law/regs032808.html> .



## Safety Data Sheets (SDS)

A SDS must be available for each hazardous substance in a laboratory’s chemical inventory. SDSs are available from the UC online SDS library, available through: [www.ehs.ucr.edu/services/msds.html](http://www.ehs.ucr.edu/services/msds.html)

New chemical substances synthesized or produced in a laboratory, and used or shared for commercial purposes outside of the lab where it is created; require the preparation of an SDS for each synthesized substance. The UC-system wide SDS library has the capability of developing new SDSs based on the known chemical and physical properties of that substance. For assistance, contact the Campus Hazardous Material Manager through 951-827-5528 or [www.ehs.ucr.edu](http://www.ehs.ucr.edu).

## Labels, Signs and other forms of Warning

Labeling requirements for all hazardous substances are summarized as follows:

Labels on incoming containers of hazardous chemicals shall not be removed or defaced until the container is completely empty.

All containers of hazardous materials must be labeled with the identity of the hazardous substance and all applicable hazard warning statements, or if abbreviations are used, in each room with these containers a list of abbreviations used, the full chemical names and the hazards warning statement associated with each must be prominently displayed. An example of such an abbreviation list can be found at

[www.ehs.ucr.edu/laboratory/Chemical%20Abbreviation%20Example.pdf](http://www.ehs.ucr.edu/laboratory/Chemical%20Abbreviation%20Example.pdf). In either case, all containers not actively being used in transfer or a reaction, must be labeled.

New synthesized compounds must be labeled with the appropriate hazard warnings based on the knowledge of the chemical and physical properties of that substance.

Labels must be legible, in English, and clearly displayed; Lewis structures alone are inadequate.

Secondary containers (such as spray bottles) must be labeled with the identity of the substance and appropriate hazard warnings.

Symbols and/or other languages may be provided for non-English speaking employees. Use the symbols in the Globally Harmonized System of Classification and Labeling of Chemicals ([www.osha.gov/dsg/hazcom/ghs.html](http://www.osha.gov/dsg/hazcom/ghs.html))

## **Employee Information and Training**

Employee training on specific workplace hazards must be provided at the time of initial assignment, whenever a new hazard is introduced into the workplace, and whenever employees may be exposed to hazards in other work areas. General Hazard Communication Training is available through EH&S [www.ehs.ucr.edu/training](http://www.ehs.ucr.edu/training). Additional employee training is required whenever a new hazard is introduced into the work environment. All training must be in the appropriate language, educational level, and vocabulary for the personnel. Employees must be given the opportunity to ask questions.

## **UCR HAZARD ASSESSMENT & CONTROL SELECTION TOOL (HACS)**

The UCR HAZARD ASSESSMENT & CONTROL SELECTION TOOL (HACS) was developed to broadly identify activities involving chemical and other types of hazards and is an effective method of hazard communication. The UCR HACS captures information on the specific type of hazard, the location of the hazards, the name of the Faculty or other Supervisor who oversees the facility and provides guidance for the proper exposure controls (Engineering, Administrative and Personal Protective Equipment, PPE) that should be used by the people working with and around the hazards to protect themselves. Once the PPE selection is made, the laboratory is required to conduct and document training for laboratory personnel on the use of PPE.

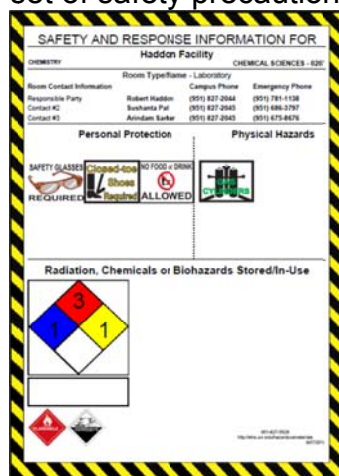
## ***Additional Resources***

1. "Occupational Exposure to Hazardous Chemicals in Laboratories." California Code of Regulations Title 8, Section 5191.8CCR5191;
2. Standard Operating Procedures (SOPs) for handling toxic chemicals
3. General information on the signs and symptoms associated with exposure to hazardous substances used in the laboratory or facility
4. Identity labels, showing contents of containers (including waste receptacles) and associated hazards; Label hazardous waste containers. See the EH&S website for information about the Online Tag Program ([www.ehs.ucr.edu/services/waste.html](http://www.ehs.ucr.edu/services/waste.html)) Warnings at areas or equipment where special or unusual hazards exist (e.g., particularly hazardous substances);
5. Procedures to follow in case of an emergency; including the posting of the "In Case of Accident Form";
  - a. Emergency telephone numbers of emergency personnel/facilities, supervisors, and laboratory workers
  - b. Location signs for safety showers, eyewash stations, other safety and first aid equipment, exits and areas where food and beverage consumption and storage are permitted.

## Classes of Hazardous Chemicals

### Identification & Classification of Hazardous Chemicals

Chemicals can be divided into several different hazard classes. The hazard class will determine how these materials should be stored and handled and what special equipment and procedures are needed to use them safely. Each chemical container, whether supplied by a vendor or produced in the laboratory, must include labels that clearly identify the hazards associated with that chemical. In addition to specific chemical labels, hazard information for specific chemicals can be found by referencing the Safety Data Sheet (SDS) for that chemical. Rooms containing hazardous chemicals are labeled with a door placard that gives an overview of the key chemical hazards contained within that room. The first section of the placard lists the name of the PI as well as the building and room number. The second section contains emergency contact information. The 3<sup>rd</sup> section contains personal protection and physical hazards. The last section contains specific hazards (chemical, biological, radiological) Based on the hazards, the placard may contain the familiar NFPA four color, 1-4 number rating symbol that quickly supplies the hazard information broken down into four hazard classes, with 1 indicating a low level of hazard and 4 indicating a high hazard level. The four chemical hazard types correspond to the four color areas: red indicates a flammability hazard, yellow indicates a reactive hazard, blue indicates a health hazard and the white area is reserved for special hazards that are identified by hazard symbols or labels to indicate hazards such as radioactivity, biohazard, water reactive chemicals, etc. Each of these hazards has a different set of safety precautions associated with them. Figure 3.1 is an example of a UCR placard.



Example of a UCR Placard

It is essential that all laboratory workers understand the types of hazards, recognize the routes of exposure, and are familiar with the major hazard classes of chemicals. In many cases, the specific hazards associated with new compounds and mixtures will not be known, so it is recommended that all chemical compounds be treated as if they were potentially harmful and to use appropriate eye, inhalation and skin protection equipment.

#### Flammability Hazards

A number of highly flammable substances are in common use in campus laboratories. Flammable liquids include those chemicals that have a flashpoint of less than 100 degrees Fahrenheit (37.78 degrees Celsius). These materials must be stored in



flammable storage cabinets in aggregate quantities of 10 gallons or more. Flame-resistant laboratory coats must be worn when working with large quantities (4 liters or more) of flammable materials and/or with procedures where a significant fire risk is present (e.g., when working with open flame, etc.). These materials can constitute a significant immediate threat and should be treated with particular care, even though the use of these materials is fairly common in the laboratory setting. Particular attention should be given to preventing static electricity and sparks when handling flammable liquids by using electrical grounding and bonding techniques whenever possible.

## Reactivity Hazards

Reactive and explosive substances are materials that decompose under conditions of mechanical shock, elevated temperature, or chemical action, and release of large volumes of gases and heat. Some materials, such as peroxide formers, may not be explosive, but may form explosive substances over time. These substances pose an immediate potential hazard and procedures which use them must be carefully reviewed. These materials must also be stored in a separate flame-resistant storage cabinet or, in many cases, in laboratory grade refrigerator or freezer that are designed for flammable and reactive chemicals. Pyrophoric chemicals are a special classification of reactive materials that spontaneously combust when in contact with air and require laboratory-specific training. Flame-resistant laboratory coats or other appropriate flame resistant protection must always be worn when working with pyrophoric chemicals.

## Health Hazards

Cal/OSHA uses the following definition for health hazards:

The term ‘health hazard’ includes chemicals which are carcinogens, toxic or highly toxic agents, reproductive toxins, irritants, corrosives, sensitizers, hepatotoxins, nephrotoxins, neurotoxins, agents which act on the hematopoietic systems, and agents which damage the lungs, skin, eyes, or mucous membranes.

The major classes of “hazardous” and “particularly hazardous substances” and their related health and safety risks are detailed below:



## Corrosive Substances

As a health hazard, corrosive substances cause destruction of, or alterations in, living tissue by chemical action at the site of contact.

**Major classes of corrosive substances include:**

- Strong acids – e.g., sulfuric, nitric, hydrochloric acids
- Strong bases – e.g., sodium hydroxide, potassium hydroxide and ammonium hydroxide
- Dehydrating agents – e.g., sulfuric acid, sodium hydroxide, phosphorus pentoxide and calcium oxide
- Oxidizing agents – e.g., hydrogen peroxide, chlorine and bromine.



Symptoms of exposure for inhalation include a burning sensation, coughing, wheezing, laryngitis, shortness of breath, nausea, and vomiting. For eyes, symptoms include pain, blood shot eyes, tearing, and blurring of vision. For skin, symptoms may include reddening, pain, inflammation, bleeding, blistering and burns. As a physical hazard, corrosive substances may corrode materials they come in contact with and may be highly reactive with other substances.

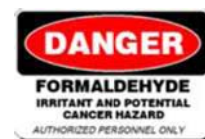
It is important to review information regarding the materials they may corrode, and their reactivity with other substances, as well as information on health effects. In most cases, these materials should be segregated from other chemicals and require secondary containment when in storage.

## Irritants

Irritants are defined as non-corrosive chemicals that cause reversible inflammatory effects on living tissue by chemical action at the site of contact. A wide variety of organic and inorganic compounds, including many chemicals that are in a powder or crystalline form, are irritants. The most common example of an irritant may be ordinary smoke which can irritate the nasal passages and respiratory system. Consequently, eye and skin contact with all laboratory chemicals should always be avoided. Symptoms of exposure can include reddening or discomfort of the skin and irritation to respiratory systems.

## Sensitizer

A sensitizer (allergen) is a substance that causes exposed people to develop an allergic reaction in normal tissue after repeated exposure to the substance. Examples of sensitizers include diazomethane, chromium, nickel, formaldehyde, isocyanates, arylhydrazines, benzylic and allylic halides, and many phenol derivatives. Sensitizer exposure can lead to all of the symptoms associated with allergic reactions, or can increase an individual's existing allergies.



## Hazardous Substances with Toxic Effects on Specific Organs

Substances included in this category include:

- Hepatotoxins – i.e., substances that produce liver damage, such as nitrosamines and carbon tetrachloride
- Nephrotoxins – i.e., agents causing damage to the kidneys, such as certain halogenated hydrocarbons
- Neurotoxins – i.e., substances which produce their primary toxic effects on the nervous system, such as mercury, acrylamide and carbon disulfide
- Agents which act on the hematopoietic system – e.g., carbon monoxide and cyanides which decrease hemoglobin function and deprive the body tissues of oxygen
- Agents which damage lung tissue – e.g., asbestos and silica.

Symptoms of exposure to these materials vary. People working with these materials should review the SDS for the specific material being used, take special note of the associated symptoms of exposure and contact EH&S for assistance.

## Particularly Hazardous Substances

OSHA recognizes that some classes of chemical substances pose a greater health and safety risk than others. To differentiate this different risk characteristic, OSHA identifies two categories of hazardous chemicals:

1. hazardous chemicals; and
2. particularly hazardous substances.

Substances that pose such significant threats to human health are classified as "particularly hazardous substances" (PHSs). The OSHA Laboratory Standard and Cal/OSHA regulation



require that special provisions be established to prevent the harmful exposure of researchers to PHSs,:

1. Establishment of a designated area;
2. Use of containment devices such as fume hoods or glove boxes;
3. Procedures for safe removal of contaminated waste; and
4. Decontamination procedures.

Particularly hazardous substances are divided into three primary types:

1. Acute Toxins;
2. Reproductive Toxins; and
3. Carcinogens.

A list can be found through [www.ehs.ucr.edu/hazardousmaterials/AppendixAList+PHS.xlsx](http://www.ehs.ucr.edu/hazardousmaterials/AppendixAList+PHS.xlsx)

## **Acute Toxins**

Substances that have a high degree of acute toxicity are interpreted by OSHA as being substances that "may be fatal or cause damage to target organs as the result of a single exposure or exposures of short duration." These chemicals, associated chemical waste, and storage containers must be handled with care to prevent cross contamination of work areas and unexpected contact. These chemicals must be labeled as "Toxic." Empty containers of these substances must be packaged and disposed of as hazardous waste without rinsing trace amounts into the sanitary sewer system.

## **Reproductive Toxins**

Reproductive toxins (<http://web.princeton.edu/sites/ehs/labsafetymanual/appa.htm>) include any chemical that may affect the reproductive capabilities, including chromosomal damage (mutations) and effects on fetuses (teratogenesis).

Reproductive toxins can affect the reproductive health of both men and women if proper procedures and controls are not used. For women, exposure to reproductive toxins during pregnancy can cause adverse effects on the fetus; these effects include embryoletality (death of the fertilized egg, embryo or fetus), malformations (teratogenic effects), and postnatal functional defects. For men, exposure can lead to sterility.

Examples of embryotoxins include thalidomide and certain antibiotics such as tetracycline. Women of childbearing potential should note that embryotoxins have the greatest impact during the first trimester of pregnancy. Because a woman often does not know that she is pregnant during this period of high susceptibility, special caution is advised when working with all chemicals, especially those rapidly absorbed through the skin (e.g., formamide). Pregnant women and women intending to become pregnant should consult with their laboratory supervisor and EH&S before working with substances that are suspected to be reproductive toxins.

## **Carcinogens**

Carcinogens are chemical or physical agents that cause cancer. Generally they are chronically toxic substances; that is, they cause damage after repeated or long-duration exposure, and their effects may only become evident after a long latency period. Chronic toxins are particularly insidious because they may have no immediately apparent harmful effects. These materials are separated into two classes:

- 1 Select Carcinogens; and



## 2 Regulated Carcinogens

Select carcinogens are materials which have met certain criteria established by the National Toxicology Program or the International Agency for Research on Cancer regarding the risk of cancer via certain exposure routes. (See definition Select Carcinogen.) It is important to recognize that some substances involved in research laboratories are new compounds and have not been subjected to testing for carcinogenicity. The following references (links provided) are used to determine which substances are select carcinogens by Cal/OSHA's classification:

OSHA Carcinogen List (<http://web.princeton.edu/sites/ehs/labsafetymanual/sec7j.htm>)

- Annual Report on Carcinogens published by the National Toxicology Program (NTP), including all of the substances listed as "known to be carcinogens" and some substances listed as "reasonably anticipated to be carcinogens" (<http://ntp.niehs.nih.gov/index.cfm?objectid=32BA9724-F1F6-975E7FCE50709CB4C932>)
- International Agency for Research on Cancer (IARC), including all of Group 1 "carcinogen to humans" by the International Agency for Research on Cancer Monographs (IARC) (Volumes 1-48 and Supplements 1-8); and some in Group 2A or 2B, "reasonably anticipated to be carcinogens" by the National Toxicology Program (NTP), and causes statistically significant tumor incidence in experimental animals in accordance with any of the following criteria: (i) after inhalation exposure of 6-7 hours per day, 5 days per week, for a significant portion of a lifetime to dosages of less than 10 mg/m<sup>3</sup>; (ii) after repeated skin application of less than 300 mg/kg of body weight per week; or (iii) after oral dosages of less than 50 mg/kg of body weight per day (<http://monographs.iarc.fr/ENG/Classification/crthgr01.php>)

Regulated Carcinogens fall into a higher hazard class and have extensive additional requirements associated with them. The use of these agents may require personal exposure sampling based on usage. When working with Regulated Carcinogens, it is particularly important to review and effectively apply engineering and administrative safety controls as the regulatory requirements for laboratories that may exceed long term (8 hour) or short term (15 minutes) threshold values for these chemicals are very extensive.

## How to Reduce Exposures to Hazardous Chemicals

### Introduction

Hazardous chemicals require a carefully considered, multi-tiered approach to ensure safety. There are four primary routes of exposure for chemicals which have associated health hazards (illustrated in Figure 4.1):

- Inhalation;
- Absorption (through the skin or eyes);
- Ingestion; and
- Injection (skin being punctured by a contaminated sharp object or uptake through an existing open wound).

Of these, the most likely route of exposure in the laboratory is by inhalation. Many hazardous chemicals may affect people through more than one of these exposure modes, so it is critical that protective measures are in place for each of these uptake mechanisms.

## Safety Controls

Safety controls are divided into three main classifications:

- Engineering Controls;
- Administrative Controls; and
- Personal Protective Equipment.

Elements of these three classes are used in a layered approach to create a safe working environment. The principles of each of these elements are detailed below.

## Engineering Controls

Engineering controls include all “built in” safety systems. These controls offer the first line of protection and are highly effective in that they generally require minimal special procedures or actions on the part of the user except in emergency situations. A fundamental and very common example is the laboratory fume hood which is very effective at containing chemical hazards and protecting users from inhalation hazards. Other examples of engineering controls include general room ventilation, flammable material storage units, and secondary containment.

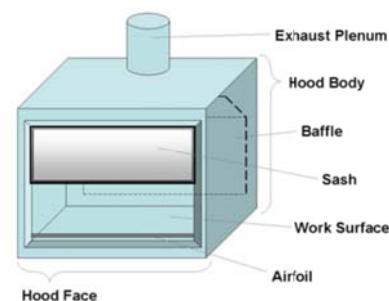
### General Laboratory Ventilation

All laboratory rooms in which hazardous materials are used must have fresh air ventilation with 100% of the exhaust venting to the outside; laboratory rooms should not be part of recycled air systems. In cases where this is not desirable, a formal hazard evaluation will be made by EH&S to determine what work can be done in the space and under what special conditions or limitations. Laboratory rooms should be kept at negative pressure compared to public areas to prevent the spread of hazardous vapors. See the University of California Environment, Health and Safety (EH&S) Laboratory Safety Design Guide for additional information on laboratory ventilation.

## Fume Hoods

Fume hoods are the most commonly used local exhaust system on campus. Other methods include vented enclosures for large pieces of equipment or chemical storage, and portable exhaust systems for capturing contaminants near the point of release. Some systems are equipped with air cleaning devices (HEPA filters or carbon absorbers). Exhaust from fume hoods are designed to terminate at least ten feet above the roof deck or two feet above the top of any parapet wall, whichever is higher. Figure 4.2 displays the key components of a fume hood.

It is advisable to use a laboratory hood when working with all hazardous substances. In addition, a laboratory hood or other suitable containment device must be used for all work with “particularly hazardous substances.” A properly operating and correctly used laboratory hood can reduce or eliminate volatile liquids, dusts and mists. Fume hoods are evaluated for operation and certified by EH&S on an annual basis. These annual evaluations check the fume hood air flow velocity to ensure that the unit will contain hazardous vapors. Data on annual fume hood monitoring will be maintained by EH&S.



Each fume hood should have a current calibration sticker and a marker indicating the highest sash height to be used when working with hazardous materials. Contact EH&S for a hood evaluation if these labels are missing.

Each fume hood must be equipped with at least one type of continuous quantitative monitoring device designed to provide the user with current information on the operational status of the hood. Many hoods also have motion sensors to determine when they are not in active use. These sensors will reduce the fume hood's air flow as part of the campus' energy savings effort. When hazardous materials are in a fume hood, but it is not under active use (e.g., during an unattended reaction or experiment), the sash should be closed. Fume hoods are not designed for storage of hazardous materials.

Routine maintenance and repairs of fume hoods are conducted by Physical Plant. Hood users may route requests for hood repair directly to Physical Plant using the work order system. EH&S or the user may initiate maintenance as well as coordinate with Physical Plant to ensure that it is completed. Upon reported completion by Physical Plant, EH&S will re-inspect the fume hood following maintenance or repairs.

### **General Rules for Fume Hood Use**

The following general rules should be followed when using laboratory hoods:

1. Fume hoods should not be used for work involving hazardous substances unless they have a certification label that confirms certification has occurred within the past year
2. Always keep hazardous chemicals >6 inches behind the plane of the sash
3. **Never** put your head inside a laboratory hood containing hazardous materials. The plane of the sash is the barrier between contaminated and uncontaminated air
4. Work with the hood sash in the **lowest practical position**. The sash acts as a physical barrier in the event of an accident. Keep the sash closed when not conducting work in the hood
5. Do not clutter your hood with unnecessary bottles or equipment. Keep it clean and clear. Only materials actively in use should be in the hood
6. Do not make any modifications to hoods, duct work, or the exhaust system without first contacting EH&S
7. Do not use large equipment in laboratory hoods unless the hood is dedicated for this purpose, as large obstructions can change the airflow patterns and render the hood unsafe
8. Shut your sash! For energy efficiency, make sure to shut your sash when the hood is not in use

Laboratory fume hoods are one of the most important pieces of equipment used to protect laboratory and other workers from exposure to hazardous chemicals. Chemical fume hoods should be inspected upon installation, renovation, when a deficiency is reported, or a change has been made to the operating characteristics of the hood. Since fume hoods used for regulated carcinogens have additional requirements, such as increased face velocity, contact the EH&S if the intended use changes.

### **Glove Boxes and Ventilation Devices**

In addition to fume hoods, some laboratories use contained glove box units for working with reactive chemicals under an inert environment, working with very toxic substances in a completely closed system, or for creating a stable, breeze free, system for weighing hazardous

or reactive materials. These units can be very effective because they offer complete containment.

## **Other Engineering Controls**

In addition to the elements listed above, consideration must be given to providing sufficient engineering controls for the storage and handling of hazardous materials. No more than 10 gallons of flammable chemicals may be stored outside of an approved flammable storage cabinet. For refrigerated or frozen storage, flammable and explosive materials must be kept in refrigeration units specifically designed for storing these materials. Generally these units do not have internal lights or electronic systems that could spark and trigger an ignition; additionally, the cooling elements are external to the unit. These units should be labeled with a rating from Underwriters Laboratory or other certifying organization

Secondary containment must be provided for corrosive and reactive chemicals and is recommended for all other hazardous chemicals. Secondary containment should be made of chemically resistant materials and should be sufficient to hold the volume of at least the largest single bottle stored in the container.

Laboratories that use hazardous materials must contain a sink, kept clear for hand washing to remove any final residual contamination. Hand washing is recommended whenever a staff member who has been working with hazardous materials plans to exit the laboratory or work on a project that does not involve hazardous materials.

## **Administrative Controls**

The next layer of safety controls are Administrative Controls. These controls consist of policies and procedures; they are not generally as reliable as engineering controls in that the user has to carefully follow the appropriate procedures and must be fully trained and aware in order to do so.

Laboratory groups should also review their operations to minimize the amounts of hazardous substances in use or to replace them with less hazardous alternatives. Attention must also be paid to the appropriate segregation of incompatible materials.

## **Standard Operating Procedures**

Standard operating procedures that are relevant to safety and health considerations must be developed and followed when laboratory work involves the use of hazardous chemicals (CCR, Title 8, Section 5191 (e)(3)(A)), especially for “particularly hazardous substances” (PHS). SOPs are written instructions that detail the steps that will be performed during a given experimental procedure and include information about potential hazards and how these hazards will be mitigated. SOPs should be written by laboratory personnel who are most knowledgeable and involved with the experimental process. The development and implementation of SOPs is a core component of promoting a strong safety culture in the laboratory and helps ensure a safe work environment.

While general guidance regarding laboratory work with chemicals is contained in this plan, Faculty/Other Laboratory Supervisors are required to develop and implement laboratory-specific SOPs for certain hazardous chemicals and PHS that are used in their laboratories. These SOPs must be submitted and reviewed by the Department Safety Committee prior to implementation. For certain hazardous chemicals, PHS, or specialized practices, consideration

must be given to whether additional consultation with safety professionals is warranted or required.

Circumstances requiring prior approval from the PI/Laboratory Supervisor must also be addressed in laboratory specific SOPs. These circumstances are based on the inherent hazards of the material being used, the hazards associated with the experimental process, the experience level of the worker, and the scale of the experiment. Some examples of circumstances that may require prior approval include working alone in a laboratory, unattended or overnight operations, the use of highly toxic gas of any amount, the use of large quantities of toxic or corrosive gases, the use of extremely reactive chemicals (e.g., pyrophorics, water reactive chemicals), or the use of carcinogens.

EH&S maintains a website ([www.ehs.ucr.edu](http://www.ehs.ucr.edu)) with tools and resources that may be referenced while developing SOPs, including fact sheets for the use of certain hazardous chemicals, online safety videos and an SOP Library. EH&S is also available to assist with the development of SOPs. SOPs must be developed prior to initiating any experiments with hazardous chemicals or particularly hazardous substances and are to be filed and maintained in the Laboratory Safety Manual where they are available to all laboratory personnel. When drafting an SOP, consider the type and quantity of the chemical being used, along with the frequency of use. The Safety Data Sheet (SDS) for each hazardous chemical or particularly hazardous substance that will be addressed in the SOP should be referenced during SOP development. The SDS lists important information that will need to be considered, such as exposure limits, type of toxicity, warning properties, and symptoms of exposure. If a new chemical will be produced during the experiment, an SDS will not necessarily be available. In these cases, the toxicity is unknown and it must be assumed that the substance is particularly hazardous, as a mixture of chemicals will generally be more toxic than its most toxic component.

## **Personal Protective Equipment**

Personal protective equipment (PPE) serves as a researcher's last line of defense against chemical exposures and is required by everyone entering a laboratory containing hazardous chemicals.

The PPE policy outlines the basic PPE requirements, which include but are not limited to:

- Full length pants and close-toed shoes, or equivalent
- Protective gloves, laboratory coats, & eye protection when working with, or adjacent to, hazardous chemicals
- Flame resistant laboratory coats for high hazard materials, pyrophorics, and  $\geq 4$  liters of flammables

The primary goal of basic PPE is to mitigate, at a minimum, the hazard associated with exposure to hazardous substances. In some cases, additional, or more protective, equipment must be used. If a project involves a chemical splash hazard, chemical goggles are required; face shields may also be required when working with chemicals that may cause immediate skin damage. Safety goggles differ from safety glasses in that they form a seal with the face, which completely isolates the eyes from the hazard. If a significant splash hazard exists, heavy gloves, protective aprons and sleeves may also be needed. Gloves should only be used under the specific condition for which they are designed, as no glove is impervious to all chemicals. It is also important to note that gloves degrade over time, so they should be replaced as necessary to ensure adequate protection. The EH&S website ([www.ehs.ucr.edu](http://www.ehs.ucr.edu))



provides PPE Selection Guide to assist in selecting the appropriate glove type for the type of potential hazard.

EH&S requires each laboratory to complete a "Hazard Assessment Tool" prior to beginning work and to provide annual updates thereafter. PPE can be selected based on this hazard assessment. The online Hazard Assessment Tool can be accessed through [www.ehs.ucr.edu/laboratory/ucregentsagreement](http://www.ehs.ucr.edu/laboratory/ucregentsagreement)

## How to Use and Maintain PPE

Personal protective equipment should be kept clean and stored in an area where it will not become contaminated. Personal protective equipment should be inspected prior to use to ensure it is in good condition. It should fit properly and be worn properly. If it becomes contaminated or damaged, it should be cleaned or repaired when possible, or discarded and replaced.

## Contaminated Clothing/PPE

In cases where spills or splashes of hazardous chemicals on clothing or PPE occur, the clothing/PPE should immediately be removed and placed in a closed container that prevents release of the chemical. Heavily contaminated clothing/PPE resulting from an accidental spill should be disposed of as hazardous waste. Non-heavily contaminated laboratory coats should be cleaned and properly laundered, as appropriate. Laboratory personnel should never take contaminated items home for cleaning or laundering. Persons or companies hired to clean contaminated items must be informed of potentially harmful effects of exposure to hazardous chemicals and must be provided with information to protect themselves.

## Respiratory Protection

Typically, respiratory protection is not needed in a laboratory. Under most circumstances, safe work practices, small scale usage, and engineering controls (fume hoods, biosafety cabinets, and general ventilation) adequately protect laboratory workers from chemical and biological hazards. Under certain circumstances, however, respiratory protection may be needed. These can include:

- An accidental spill such as:
  - a chemical spill outside the fume hood
  - a spill of bio-hazardous material outside a biosafety cabinet
- Performance of an unusual operation that cannot be conducted under the fume hood or biosafety cabinet
- When weighing powdered chemicals or microbiological media outside a glove box or other protective enclosure. Disposable filtering face-piece respirators are generally recommended for nuisance dusts. If the chemicals are toxic, contact EH&S for additional evaluation
- When exposure monitoring indicates that exposures exist that cannot be controlled by engineering or administrative controls ?
- As required by a specific laboratory protocol or as defined by applicable regulations

Because there are numerous types of respirators available, and each has specific limitations and applications, respirator selection and use requires pre-approval by EH&S. For either required or voluntary use of a respirator, the employee must contact the campus Industrial



Hygienist, who will contact the employee to evaluate the potential exposure. The review will include an evaluation of the work area and activities for the following:

- Provision of additional ventilation controls or enclosure of the airborne hazard
- Substitution with a less hazardous substance
- Qualitative or quantitative exposure assessment
- Respirator usage

Tasks with potential airborne hazards that cannot be eliminated by engineering or administrative controls will not be authorized by EH&S until affected employees can be incorporated into UCR's Respiratory Protection Program.

If EH&S recommends respirator use for a task, the employee must fill out a medical questionnaire. After the individual has been cleared to wear a respirator, respirator training and fit testing can be scheduled by calling EH&S.

Because wearing respiratory equipment places a physical burden on the user, laboratory workers must be medically evaluated prior to wearing respiratory equipment. Certain individuals (e.g., persons with severe asthma, heart conditions, or claustrophobia) may not be medically qualified to wear a respirator. Upon enrollment in Respirator Training and Fit Testing, the employee will be sent the appropriate medical questionnaire. The completed medical questionnaire will be evaluated before the employee proceeds with the training.

NOTE: This medical questionnaire is confidential. The employee will be provided additional information on who to contact for follow up questions.

After successful completion of the medical evaluation, the employee will be trained and fit tested by EH&S. Training topics include:

- Why the respirator is necessary and how improper fit, usage, or maintenance can compromise the protective effect of the respirator
- What the limitations and capabilities of the respirator are
- How to use the respirator effectively in emergency situations, including situations in which the respirator malfunctions
- How to inspect, put on and remove, use, and check the seals of the respirator
- What the procedures are for maintenance and storage of the respirator
- How to recognize medical signs and symptoms that may limit or prevent the effective use of
- respirators
- The general requirements of the respiratory program

Finally, a qualitative or quantitative fit test is conducted by EH&S for each respirator user. The fit test ensures a proper face to face piece seal for each individual and his/her mask. Fit testing is done in accordance with Cal/OSHA regulations (8CCR5144)

<http://www.dir.ca.gov/title8/5144.html>).

An annual refresher is required for the medical evaluation, respirator training, and fit testing. In addition to the annual training refresher, a more frequent re-training, fit testing or medical evaluation must be performed when any of the following occur:

- Changes in the workplace or the type of respirator render previous training obsolete
- Inadequacies in the employee's knowledge or use of the respirator indicate that the employee has not retained the requisite understanding or skill
- Any other situation arises in which reevaluation appears necessary to ensure safe respirator use
- Facial scarring, dental changes, cosmetic surgery, or an obvious change in body weight

- An employee reports medical signs or symptoms related to their ability to use a respirator

## **Laboratory Safety and Emergency Response Equipment**

New personnel must be instructed in the location of fire extinguishers, safety showers, and other safety equipment before they begin work in the laboratory. This training is considered part of the laboratory specific training that all staff members must attend.

### **Fire Extinguishers**

All laboratories working with combustible or flammable chemicals must be outfitted with appropriate fire extinguishers. All extinguishers should be mounted on a wall in an area free of clutter or stored in a fire extinguisher cabinet. Research personnel should be familiar with the location, use and classification of the extinguishers in their laboratory.

Laboratory personnel are not required to extinguish fires that occur in their work areas and should not attempt to do so unless:

- It is a small fire (i.e., small trash can sized fire)
- Appropriate training has been received
- It is safe to do so

Any time a fire extinguisher is used, no matter for how brief a period, the PI/Laboratory Supervisor, or most senior laboratory personnel present at the time of the incident, must immediately report the incident to the EH&S Hotline at 951-827-5748

The EH&S website contains a Fire Extinguisher training video which provides information on fire extinguisher use. <http://www.ehs.ucr.edu/training/online/>

### **Safety Showers and Eyewash Stations**

All laboratories using hazardous chemicals must have immediate access to safety showers with eye wash stations. Access must be available in an unlocked location within 10 seconds or less for a potentially injured individual and access routes must be kept clear. This requirement applies to all areas where, during routine operations or emergencies, the eyes or body of an employee may come in contact with a substance that could cause corrosion, sever irritation, or permanent tissue damage, or is toxic by absorption. Safety showers must have a minimum clearance of 16 inches from the centerline of the spray pattern in all directions at all times; this means that no objects should be stored or left within this distance of the safety shower.

In the event of an emergency, individuals using the safety shower should be assisted by an uninjured person to aid in decontamination and should be encouraged to stay in the safety shower for 15 minutes to remove all hazardous material.

Safety shower/eyewash stations are tested by Physical Plant. Any units which do not have a testing date should be reported immediately to Physical Plant at (951-827-4214). If an eyewash or safety shower needs repair, a work order must be given to Physical Plant. Any questions regarding the procedure for placing a work order should be directed to Physical Plant at (951-827-4214).



## **Fire Doors**

Many areas of research buildings may contain critical fire doors as part of the building design. These doors are an important element of the fire containment system and should remain closed unless they are on a magnetic self-closing or other automated self-closing system.

## **Safe Laboratory Habits**

As detailed above, a safety program must include layers of policies and protective equipment to allow for a safe working environment, but to achieve effectiveness, a number of fundamental elements must become basic working habits for the research community. Some of these elements are detailed below:

### **Personal Protective Equipment:**

- Wear closed-toe shoes and full length pants, or equivalent, at all times when in the laboratory
- Utilize appropriate PPE while in the laboratory and while performing procedures that involve the use of hazardous chemicals or materials
- Confine long hair and loose clothing
- Remove laboratory coats or gloves immediately on significant contamination, as well as before leaving the laboratory
- Avoid use of contact lenses in the laboratory unless necessary. If they are used, inform supervisor so special precautions can be taken
- Use any other protective and emergency apparel and equipment as appropriate. Be aware of the locations of first aid kits and emergency eyewash and shower station

### **Chemical Handling:**

- Properly label and store all chemicals. Use secondary containment at all times
- Deposit chemical waste in appropriately labeled receptacles and follow all other waste disposal procedures of the Chemical Hygiene Plan
- Do not smell or taste chemicals
- Never use mouth suction for pipetting or starting a siphon
- Do not dispose of any hazardous chemicals through the sewer system
- Be prepared for an accident or spill and refer to the emergency response procedures for the specific material. Procedures should be readily available to all personnel. Information on minor chemical spill mitigation may also be referenced in Appendix O. For general guidance, the following situations should be addressed:
  - Eye Contact: Promptly flush eyes with water for a prolonged period (15 minutes) and seek medical attention
  - Skin Contact: Promptly flush the affected area with water and remove any contaminated clothing. If symptoms persist after washing, seek medical attention

### **Equipment Storage and Handling:**

- Store laboratory glassware with care to avoid damage. Use extra care with Dewar flasks and other evacuated glass apparatus; shield or wrap them to contain chemicals and fragments should implosion occur
- Use certified fume hoods, glove boxes, or other ventilation devices for operations which might result in release of toxic chemical vapors or dust. Preventing the escape of these types of materials into the working atmosphere is one of the best ways to prevent exposure

- Keep hood closed when you are not working in the hood
- Do not use damaged glassware or other equipment
- Do not use uncertified fume hoods or glove boxes for hazardous chemical handling
- Avoid storing materials in hoods
- Do not allow the vents or air flow to be blocked

#### **Laboratory Operations:**

- Keep the work area clean and uncluttered
- Seek information and advice about hazards, plan appropriate protective procedures, and plan positioning of equipment before beginning any new operation
- If unattended operations are unavoidable, and have been approved by the PI/Laboratory Supervisor, place an appropriate sign on the door, leave lights on, and provide for containment of toxic substances in the event of failure of a utility service (such as cooling water)
- Be alert to unsafe conditions and ensure that they are corrected when detected
- Research staff and students should never work alone on procedures involving hazardous chemicals, biological agents, or other physical hazards
- Do not engage in distracting behavior such as practical jokes in the laboratory. This type of conduct may confuse, startle, or distract another worker

#### **Food/Drink:**

- Do not eat, drink, smoke, chew gum, or apply cosmetics in areas where laboratory chemicals are present; wash hands before conducting these activities
- Do not store, handle, or consume food or beverages in storage areas, refrigerators, glassware or utensils which are also used for laboratory operations
- Wash areas of exposed skin well before leaving the laboratory

## ***Chemical Exposure Assessment***

### **Regulatory Overview**

It is University policy to comply with all applicable health, safety and environmental protection laws, regulations and requirements. Cal/OSHA requires that all employers “measure an employee’s exposure to any substance regulated by a standard which requires monitoring if there is reason to believe that exposure levels for that substance exceed the action level (or in the absence of an action level, the exposure limit).” Repeated monitoring may be required if initial monitoring identifies employee exposure over the action level or exposure limit. Cal/OSHA regulates Permissible Exposure Limits (PELs) for airborne contaminants to which “nearly all workers may be exposed daily during a 40-hour workweek for a working lifetime (of 40 years) without adverse effect”, are based upon an 8-hour Time-Weighted Average (TWA) exposure. Thus, the PELs are the maximum permitted 8-hour TWA concentration of an airborne contaminant without the use of respiratory protection. Cal/OSHA has also defined Short Term Exposure Limits (STELs) as the maximum TWA exposure during any 15 minute period, provided the daily PEL is not exceeded and Ceiling (C) exposures that shall not be exceeded at any time.

Cal/OSHA has listed established PELs, STELs and Ceiling exposures for chemical contaminants identified in [CCR Title 8 Section 5155](http://www.dir.ca.gov/Title8/ac1.pdf) (Airborne Contaminants) Table AC-1 ([www.dir.ca.gov/Title8/ac1.pdf](http://www.dir.ca.gov/Title8/ac1.pdf)). In the absence of a published Ceiling limit, Cal/OSHA requires

employee exposure to concentrations above the PEL be controlled to prevent harmful effects. Further, Cal/OSHA has promulgated specific standards covering several regulated carcinogens, which may include an Action Level (AL), triggering medical surveillance requirements or the imposition of a specific Excursion Limit (such as for asbestos) with a unique measurement of the duration of an exposure.

Additionally, the Safe Drinking Water and Toxic Enforcement Act of 1986 requires Cal/EPA to publish annually a list of Proposition 65 chemicals known to the State to cause cancer or other reproductive toxicity ([http://www.oehha.ca.gov/prop65/prop65\\_list/files/P65single061110.pdf](http://www.oehha.ca.gov/prop65/prop65_list/files/P65single061110.pdf)).

## **Exposure Assessment Overview**

All University employees require protection from exposure to hazardous chemicals above PELs, STELs and Ceiling concentrations. The profession with expertise in exposure assessment monitoring is Industrial Hygiene. At UCR, the person supervising, directing or evaluating the exposure assessment monitoring must be competent in the practice of industrial hygiene. The Safety & Industrial Hygiene Program in EH&S employs personnel with this expertise. General questions regarding exposure assessment or the Industrial Hygiene Program can be directed to the campus industrial hygienist at 951-827-2964.

Minimizing an exposure may be accomplished using a combination of engineering controls, administrative controls and personal protective equipment, listed in order of priority. Assessing exposure to hazardous chemicals may be accomplished through a number of methods performed by EH&S, including employee interviews, visual observation of chemical use, evaluation of engineering controls, use of direct reading instrumentation, or the collection of analytical samples from the employee's breathing zone. Personal exposure assessment will be performed under either of the following situations:

- Based on chemical inventories, review of Standard Operating Procedures (SOPs), types of engineering controls present, laboratory inspection results and/or review of the annual UCR Laboratory Hazard Assessment Tool, EH&S determines whether an exposure assessment is warranted; or
- User of a hazardous chemical has concern or reason to believe exposure is not minimized or eliminated through use of engineering controls or administrative practices (such as transfer of chemical through double needle performed entirely in a fume hood) and the potential for exposure exists. The user should then inform his or her PI/Laboratory Supervisor, who will in turn contact the EH&S Industrial Hygiene Program, EH&S Radiation Safety Division, EH&S Injury Prevention Division, or the University's Occupational Health Facility (OHF). EH&S and OHF will then determine the best course of action in assessing employee exposure, including visual assessment, air monitoring, medical evaluation, examination, or medical surveillance.
- In event of any serious injury or exposure, including chemical splash involving dermal or eye contact, immediately call 911 from a campus phone or 951-827-5222 from an off-campus location or cell phone and obtain medical treatment immediately. Do not wait for an exposure assessment to be performed before seeking medical care.

## **Exposure Assessment Protocol**

The EH&S Safety & Industrial Hygiene Program conducts exposure assessments for members of the campus community. Employees have a right to observe testing, sampling, monitoring or measuring of employee exposure. They are also allowed access to the records and reports



related to the exposure assessment. Exposure assessments may be performed for hazardous chemicals, as well as for physical hazards including noise and heat stress to determine if exposures are within PELs or other appropriate exposure limits that are considered safe for routine occupational exposure. The costs of exposure monitoring are the responsibility of the lab, department and organization in which the personnel is employed. General protocol in conducting an exposure assessment may include any of the following:

- Employee interviews;
- Visual observation of chemical usage and/or laboratory operations;
- Evaluation of simultaneous exposure to multiple chemicals;
- Evaluation of potential for absorption through the skin, mucus membranes or eyes;
- Evaluating existing engineering controls (such as measuring face velocity of a fume hood);
- Use of direct reading instrumentation; and
- Collection of analytical samples of concentrations of hazardous chemicals taken from the employees breathing zone, or noise dosimetry collected from an employee's shirt collar or various forms of radiation dosimetry.

If exposure monitoring determines an employee exposure to be over the action level (or the PEL) for a hazard for which OSHA has developed a specific standard (e.g., lead), the medical surveillance provisions of that standard shall be followed. It is the responsibility of the PI/Laboratory Supervisor to ensure that any necessary medical surveillance requirements are met. When necessary, EH&S will make recommendations regarding adjustments engineering controls or administrative procedures to maintain exposure below any applicable PEL. Where the use of respirators is necessary to maintain exposure below permissible exposure limits, UCR will provide, at no cost to the employee, the proper respiratory equipment and training. Respirators will be selected and used in accordance with the requirements of CCR Title 8 Section 5144 ([www.dir.ca.gov/Title8/5144.html](http://www.dir.ca.gov/Title8/5144.html)) and the University's Respiratory Protection Program.

In assessing exposure to hazardous chemicals for which Cal/OSHA has not published a PEL, STEL or Ceiling exposure, EH&S defers to the Threshold Limit Values (TLVs) established by the American Conference of Governmental Industrial Hygienists (ACGIH) or the Recommended Exposure Limits (RELs) established by the National Institute of Occupational Safety & Health (NIOSH). Please contact EH&S at 951-827-5528 for more information regarding these chemicals.

## **Notification**

The Safety & Industrial Hygiene Program will promptly notify the employee and his/her PI/Laboratory Supervisor of the results in writing) after the receipt of any monitoring results. EH&S will establish and maintain an accurate record of any measurements taken to monitor exposures for each employee. Records, including monitoring provided by qualified vendors, will be managed in accordance with CCR Title 8 Section 3204 "Access to Employee Exposure and Medical Records" ([www.dir.ca.gov/Title8/3204.html](http://www.dir.ca.gov/Title8/3204.html)).

## **Exposure Assessment Use To Determine and Implement Controls**

EH&S will use any of the following criteria to determine required control measures to reduce employee's occupational exposure:



- Verbal information obtained from employees regarding chemical usage;
- Visual observations of chemical use or laboratory operations;
- Evaluation of existing engineering control measures or administrative practices;
- Recommendations expressed in Material Safety Data Sheets;
- Regulatory requirements of Cal/OSHA;
- Recommendations from professional industrial hygiene organizations;
- Direct reading instrumentation results;
- Employee exposure monitoring results; and/or
- Medical evaluation, examination and/or surveillance findings.

Particular attention shall be given to the selection of safety control measures for chemicals that are known to be extremely hazardous. Per Cal/OSHA CCR Title 8 Section 5141 “Control of Harmful Exposure to Employees” ([www.dir.ca.gov/Title8/5141.html](http://www.dir.ca.gov/Title8/5141.html)), the control of harmful exposures shall be prevented by implementation of control measures in the following order:

- Engineering controls, whenever feasible;
- Administrative controls whenever engineering controls are not feasible or do not achieve full compliance and administrative controls are practical; and
- Personal protective equipment, including respiratory protection, during:
  1. The time period necessary to install or implement feasible engineering controls
  2. When engineering and administrative controls fail to achieve full compliance in emergencies.

## Medical Evaluation

All employees, student workers, medical health services volunteers, or laboratory personnel who work with hazardous chemicals shall have an opportunity to receive a free medical evaluation, including supplemental examinations which the evaluating physician determines necessary, under the following circumstances:

1. Whenever an employee develops signs or symptoms associated with a hazardous chemical to which an employee may have been exposed in a laboratory;
2. Where personal monitoring indicates exposure to a hazardous chemical is above a Cal/OSHA Action Level (AL) or Permissible Exposure Limit (PEL) or recommended exposure levels established by the National Institute for Occupational Safety & Health (NIOSH) or the American Conference of Governmental Industrial Hygienists (ACGIH) in the event Cal/OSHA has not established an AL or PEL for a particular hazardous chemical;
3. Whenever an uncontrolled event takes place in the work area such as a spill, leak, explosion, fire, etc., resulting in the likelihood of exposure to a hazardous chemical; or
4. Upon reasonable request of the employee to discuss medical issues and health concerns regarding work-related exposure to hazardous chemicals.

All work-related medical evaluations and examinations will be performed by a medical facility. Evaluations and examinations will be provided without cost to the employee, without loss of pay, and at a reasonable time and place.

Any laboratory employee or student worker who exhibits signs and symptoms of adverse health effects from work-related exposure to a hazardous chemical should report to OHF immediately for a medical evaluation.

Refer to your Department’s Injury & Illness Prevention Program (IIPP) for procedures on how to obtain medical evaluation under the above-listed circumstances.

### ***Information to Provide to the Clinician***

At the time of the medical evaluation, the following information shall be provided:

1. Personal information such as age, weight and University employee ID number;
2. Common and/or IUPAC name of the hazardous chemicals to which the individual may have been exposed;
3. A description of the conditions under which the exposure occurred;
4. Quantitative exposure data, if available;
5. A description of the signs and symptoms of exposure that the employee is experiencing, if any;
6. A copy of the Safety Data Sheet (SDS) of the hazardous chemical in question;
7. History of exposure including previous employment and non-occupational (recreational) hobbies; and
8. Any additional information helpful in assessing or treating an exposure or injury such as a biological component of exposure or existence of an antitoxin.

### ***Physician's Written Opinion***

For evaluation or examinations required by Cal/OSHA, the employer shall receive a written opinion from the examining physician which shall include the following:

1. Recommendation for further medical follow-up;
2. Results of the medical examination and any associated tests, if requested by the employee;
3. Any medical condition which may be revealed in the course of the examination which may place the employee at increased risk as a result of exposure to a hazardous chemical found in the workplace; and
4. A statement that the employee has been informed by the physician of the results of the consultation or medical examination and any medical condition that may require further examination or treatment.

### ***Confidentiality & Individual's Access to Personal Medical Records***

All patient medical information is protected by California and federal law and is considered strictly confidential. The medical facility is prohibited from disclosing any patient medical information that is not directly related to the work-related exposure under evaluation and should not reveal any diagnosis unrelated to exposure. Any patient information disclosed by the medical facility to the employee's supervisor will be limited to information necessary in assessing an employee's return to work, including recommended restrictions in work activities, if any. Any patient information disclosed by the medical facility to EH&S will be limited to information necessary to develop a course of exposure monitoring, or perform hazard assessments and incident investigations, if appropriate, the medical facility will otherwise disclose patient medical information only as required by California and Federal law, such as for Worker's Compensation Insurance claims. Each employee has the right to access his/her own personal medical and exposure records. The medical facility will provide an employee with a copy of his/her medical records upon written request.

### ***Medical Surveillance***

Medical surveillance is the process of using medical examinations, questionnaires and/or biological monitoring to determine potential changes in health as a result of exposure to a hazardous chemical or other hazards. Certain Cal/OSHA standards require clinical

examination as part of medical surveillance when exposure monitoring exceeds an established Action Level or PEL.

Currently UCR generally uses outside vendors for medical surveillance services. Medical surveillance is required of employees who are routinely exposed to certain hazards as part of their job description (such as asbestos) and may be offered to other employees based upon quantifiable or measured exposure. Examples of hazards that are monitored through the medical surveillance program may include: Asbestos, Beryllium, Formaldehyde, Lead, Methylene Chloride, Noise (Hearing Conservation Program), Radioactive Chemicals (Bioassay Program), Respirator Use (Respirator Protection Program), and other particularly hazardous substances. Individuals with questions regarding work-related medical surveillance are encouraged to contact or the EH&S at 951-827-5528 for more information.

## **Chemical Inventory, Labeling, Storage and Transportation**

### ***Chemical Inventories***

Faculty member and other supervisor with chemicals is required to use the campus inventory system to maintain an current, accurate and complete chemical inventory that includes the hazardous materials, solids, liquids gases and gels used and stored in the rooms to which they are assigned or allowed to use. The information maintained in the inventory includes the name of the chemical, the concentration, the chemical abstracts number, the size of the container, the number of identical containers, the amount on hand, the physical state, the type of the container, whether it is pure or a mixture and both the storage pressure and temperature. Chemical inventories are used to provide the required information to the fire department, ensure compliance with fire code storage limits, homeland security reporting thresholds can be used in an emergency to identify potential hazards for emergency response operations and more. [www.ehs.ucr.edu/hazardousmaterials/chemicalinventory](http://www.ehs.ucr.edu/hazardousmaterials/chemicalinventory)

The chemical inventory list should be reviewed prior to ordering new chemicals and only the minimum quantities of chemicals necessary for the research should be purchased. As new chemicals are added to the inventory, each laboratory group can confirm that they have access to the Safety Data Sheet (SDS) for that chemical through [www.ehs.ucr.edu/services/msds.html](http://www.ehs.ucr.edu/services/msds.html). Where practical, each chemical should be dated so that expired chemicals can be easily identified for disposal. Inventory the materials in your laboratory at least annually to avoid overcrowding with materials that are no longer useful and note the items that should be replaced, have deteriorated, or show container deterioration. The Department of Homeland Security (DHS) requires a report to be submitted within 60 days of specific chemicals exceed set threshold aggregate amounts. As a result, everyone who has chemicals at UCR must update the on-line inventory for each of 162 chemicals within 60 days of when they are received or consumed/disposed. Unneeded items should be given to EH&S for the Shareable Chemicals Program and compromised items should be discarded as chemical waste. Attributes that may indicate the materials need to be disposed are: cloudiness in liquids, a change in color, evidence of liquids in solids, or solids in liquids, "puddling" of material around outside of containers, pressure build-up within containers and obvious deterioration of containers in addition to exceeding a manufacturer's expiration date.

Access to hazardous chemicals, including toxic and corrosive substances, should be restricted at all times. These materials must be stored in laboratories or storerooms that are kept locked when laboratory personnel are not present. Locked storage cabinets or other precautions are

always recommended, and in some cases may be required in the case of unusually toxic or hazardous chemicals. Unusually toxic chemicals may include those that are associated with very low immediately dangerous to life or health (IDLH) conditions. For guidance on storage requirements, please contact EH&S at 951-827-5528.

On termination or transfer of laboratory personnel, all related hazardous materials should be properly disposed of, or transferred to the laboratory supervisor or a designee.

### ***Chemical Labeling***

All containers of hazardous materials must be labeled with the identity of the hazardous substance and all applicable hazard warning statements, or if abbreviations are used, in each room with these containers a list of abbreviations used, the full chemical names and the hazards warning statement associated with each must be prominently displayed. An example of such an abbreviation list can be found at

[www.ehs.ucr.edu/laboratory/Chemical%20Abbreviation%20Example.pdf](http://www.ehs.ucr.edu/laboratory/Chemical%20Abbreviation%20Example.pdf). In either case, all containers not actively being used in transfer or a reaction, must be labeled.

New synthesized compounds must be labeled with the appropriate hazard warnings based on the knowledge of the chemical and physical properties of that substance.

Labels must be legible, in English, and clearly displayed; Lewis structures alone are inadequate.

Secondary containers (such as spray bottles) must be labeled with the identity of the substance and appropriate hazard warnings.

Symbols and/or other languages may be provided for non-English speaking employees

Use the symbols in the Globally Harmonized System of Classification and Labeling of Chemicals ([www.osha.gov/dsg/hazcom/ghs.html](http://www.osha.gov/dsg/hazcom/ghs.html))

Peroxide forming chemicals (e.g., ethers) must be labeled with a date on receipt and on first opening the bottle. For the containers without a manufacturer supplies expirations date, these chemicals are only allowed a one year shelf life and must be tested for peroxides and found below any level of concern, or disposed of as waste within one year of receipt or six months of opening. These chemicals can degrade to form shock sensitive, highly reactive compounds and should be stored and labeled very carefully.

Particularly Hazardous Substances should be segregated from less hazardous chemicals to help with proper access control and hazard identification.

### ***Chemical Storage & Segregation***

**Establish and follow safe chemical storage & segregation procedures for your laboratory.**

Storage guidelines are included for materials that are flammable, oxidizers, corrosive, water reactive, explosive and highly toxic. The specific Safety Data Sheet (SDS) should always be consulted when doubts arise concerning chemical properties and associated hazards. All procedures employed must comply with Cal/OSHA, Fire Code and building code regulations. Always wear appropriate personal protective equipment (e.g., laboratory coat, safety glasses, gloves, safety goggles, apron) when handling hazardous chemicals. Be aware of the locations of the safety showers and emergency eyewash stations. Each laboratory is required to provide appropriate laboratory-specific training on how to use this equipment prior to working with hazardous chemicals. The table below lists chemical safety storage priorities

## Safe Chemical Storage Priorities Table

Keep in mind that most chemicals have multiple hazards and a decision must be made as to which storage area would be most appropriate for each specific chemical. First you have to determine your priorities:

1. **Flammability.** When establishing a storage scheme, the number one consideration should be the flammability characteristics of the material. If the material is flammable, it should be stored in a flammable cabinet.
2. **Isolate.** If the material will contribute significantly to a fire (e.g., oxidizers), it should be isolated from the flammables. If there were a fire in the laboratory and response to the fire with water would exaggerate the situation, isolate the water reactive material away from contact with water.
3. **Corrosivity.** Next look at the corrosivity of the material, and store accordingly.
4. **Toxicity.** Finally, consider the toxicity of the material, with particular attention paid to regulated materials. In some cases, this may mean that certain chemicals will be isolated within a storage area. For example, a material that is an extreme poison but is also flammable, should be locked away in the flammable storage cabinet to protect it against accidental release.
5. There will always be some chemicals that will not fit neatly in one category or another, but with careful consideration of the hazards involved, most of these cases can be handled in a reasonable fashion.

## General Recommendations for Safe Storage of Chemicals

Each chemical in the laboratory must be stored in a specific location and returned there after each use. Acceptable chemical storage locations may include corrosive cabinets, flammable cabinets, laboratory shelves, or appropriate refrigerators or freezers. Fume hoods should not be used as general storage areas for chemicals, as this may seriously impair the ventilating capacity of the hood.

The image depicts improper fume hood storage. Chemicals should not be routinely stored on bench tops or stored on the floor. Additionally, bulk quantities of chemicals (i.e., larger than one-gallon) should be stored in a separate storage area, such as a stockroom or supply room.

Laboratory shelves should have a raised lip along the outer edge to prevent containers from falling. Hazardous liquids, toxic or corrosive chemicals should not be stored on shelves above eye-level and chemicals which are highly toxic or corrosive should be in unbreakable secondary containers.

Chemicals must be stored at an appropriate temperature and humidity level and should never be stored in direct sunlight or near heat sources, such as laboratory ovens. Incompatible materials should be stored in separate cabinets, whenever possible. If these chemicals must be stored in one cabinet, due to space limitations, adequate segregation and secondary containment must be ensured to prevent adverse reactions. All stored containers and research samples must be appropriately labeled and tightly capped to prevent vapor interactions and to alleviate nuisance odors. Flasks with only septa, cork, rubber or glass stoppers should be avoided because of the potential for leaking.





Laboratory refrigerators and freezers must be labeled appropriately with “No Food/Drink” and must never be used for the storage of food or drinks intended for human consumption. Freezers should be defrosted periodically so that chemicals do not become trapped in ice formations. Never store peroxide formers (e.g., ether) in a refrigerator not specifically designed for storage of flammable liquids. If peroxides forming chemicals are stored at below room temperature, check for formation of peroxides at least monthly and record the findings. Any peroxide concentration above 50 ppm needs to be acted upon to dispose of the material or remove the peroxides.

## **Flammable and Combustible Liquids**

Large quantities of flammable or combustible materials should be stored in locations outside of most laboratories. The actual fire code limits on the specific volume of flammable materials or other classes of hazardous chemicals depends on the original design and construction of the facility and varies from building to building at UCR. In most B occupancy labs the maximum total quantity of class 1A, 1B and 1C flammable liquids is limited to 60 gallons which must all be stored in a flammable storage cabinet. The maximum quantity allowed in any room to be kept outside a flammable storage cabinet, safety can, or approved refrigerator/freezer is 10 gallons. Only the amounts needed for the current procedure should be kept on bench tops and the remainder should be kept in flammable storage cabinets, flammable storage refrigerators or freezers that are designed and UL approved for the storage of flammable substances, or approved safety cans or drums that are grounded. Always segregate flammable or combustible liquids from oxidizing acids and oxidizers. Flammable materials must never be stored in domestic-type refrigerators/freezers and should not be stored in a refrigerator/freezer if the chemical has a flash point below the temperature of the equipment. Flammable or combustible liquids must not be stored on the floor or in any exit access.

Handle flammable and combustible substances only in areas free of ignition sources and use the chemical in a fume hood whenever practical. Only the amount of material required for the experiment or procedure should be stored in the work area. Always transfer flammable and combustible chemicals from glass containers to glassware or from glass container/glassware to plastic. Transferring these types of chemicals between plastic containers may lead to a fire hazard due to static electricity. The transfer of flammable liquid from 5 gallon or larger metal containers should not be done in the laboratory.

## **Pyrophoric & Water Reactive Substances**

Because pyrophoric substances can spontaneously ignite on contact with air and/or water, they must be handled under an inert atmosphere and in such a way that rigorously excludes air and moisture. Some pyrophoric materials are also toxic and many are dissolved or immersed in a flammable solvent. Other common hazards include corrosivity, teratogenicity, or peroxide formation.

Only minimal amounts of reactive chemicals should be used in experiments or stored in the laboratory. These chemicals must be stored as recommended in the SDS. Reactive materials containers must be clearly labeled with the correct chemical name, in English, along with a hazard warning.

Suitable storage locations may include inert gas-filled desiccators or glove boxes; however, some pyrophoric materials must be stored in a flammable substance approved freezer. If pyrophoric or water reactive reagents are received in a specially designed shipping, storage or



dispensing container (such as the Aldrich Sure/Seal packaging system), ensure that the integrity of that container is maintained. Ensure that sufficient protective solvent, oil, kerosene, or inert gas remains in the container while pyrophoric materials are stored. Never store reactive chemicals with flammable materials or in a flammable liquids storage cabinet. Storage of pyrophoric gases is described in the California Fire Code, Chapter 41. Gas cabinets, with remote sensors and fire suppression equipment, are required. Gas flow, purge and exhaust systems should have redundant controls to prevent pyrophoric gas from igniting or exploding. Emergency back-up power should be provided for all electrical controls, alarms and safeguards associated with the pyrophoric gas storage and process systems. Never return excess reactive chemical to the original container. Small amounts of impurities introduced into the container may cause a fire or explosion. For storage of excess chemical, prepare a storage vessel in the following manner:

- Dry any new empty containers thoroughly;
- Insert the septum into the neck in a way that prevents atmosphere from entering the clean dry (or reagent filled) flask;
- Insert a needle to vent the flask and quickly inject inert gas through a second needle to maintain a blanket of dry inert gas above the reagent;
- Once the vessel is fully purged with inert gas, remove the vent needle then the gas line. To introduce the excess chemical, use the procedure described in the handling section of the SOP;
- For long-term storage, the septum should be secured with a copper wire or hose clamp
- For extra protection a second same-sized septa (sans holes) can be placed over the first; and
- Use “Parafilm M®” or equivalent around the outer septa and remove the Parafilm M® and outer septum before accessing the reagent through the primary septum.

Pyrophoric Liquid Safety SOPs and videos for the safe handling of pyrophoric chemicals and can be viewed through

[www.ehs.ucr.edu/resources/SOPs/standard\\_operating\\_procedures\\_list.html](http://www.ehs.ucr.edu/resources/SOPs/standard_operating_procedures_list.html).

## Oxidizers

Oxidizers (e.g., oxygen, ozone, hydrogen peroxide, and other inorganic peroxides; fluorine, chlorine, and other halogens; nitric acid and nitrate compounds; persulfuric acids; chlorite, chlorate, perchlorate, and other analogous halogen compounds; hypochlorite and other hypohalite compounds, including household bleach; hexavalent chromium compounds such as chromic and dichromic acids and chromium trioxide, pyridinium chlorochromate, and chromate/dichromate compounds; permanganate compounds; sodium perborate; nitrous oxide; silver oxide; osmium tetroxide; Tollens' reagent; 2,2'-dipyridyldisulfide) should be stored in a cool, dry place and kept away from flammable and combustible materials, such as wood, paper, Styrofoam™, most plastics, flammable organic chemicals, and away from reducing agents, such as zinc, alkaline metals, and formic acid.

## Peroxide Forming Chemicals

Peroxide forming chemicals (e.g., acetaldehyde diethyl acetal (acetal); cumene (isopropyl benzene); cyclohexene ; cyclopentene; decalin (decahydronaphthalene); diacetylene (butadiene); diethyl ether (ether); diethylene glycol dimethyl ether (diglyme); diisopropyl ether (isopropyl ether); dioxane; divinylacetylene (DVA); ethylene glycol dimethyl ether (glyme);

ethylene glycol ether acetates; ethylene glycol monoethers (cellosolves); furan; inylidene chloride (1, 1-di-chloroethylene); methylacetylene; methylcyclopentane; potassium amide; potassium metal ; sodium amide (sodamide); tetrahydrofuran (THF); tetralin (tetrahydronaphthalene); vinyl ethers) should be stored in airtight containers in a dark, cool, and dry place and must be segregated from other classes of chemicals that could create a serious hazard to life or property should an accident occur (e.g., acids, bases, oxidizers). The containers should be labeled with the date received and the date opened. This information, along with the chemical identity should face forward to minimize container handling during inspection. These chemicals must also be tested and documented for the presence of peroxides periodically. Minimize the quantity of peroxide forming chemicals stored in the laboratory and dispose of peroxide forming chemicals before peroxide formation. Carefully review all cautionary material supplied by the manufacturer prior to use. Avoid evaporation or distillation, as distillation defeats the stabilizer added to the solvents. Ensure that containers are tightly sealed to avoid evaporation and that they are free of exterior contamination or crystallization. Never return unused quantities back to the original container and clean all spills immediately.

If old containers of peroxide forming chemicals are discovered in the laboratory, (greater than two years past the expiration date or if the date of the container is unknown), do not handle the container. If crystallization is present in or on the exterior of a container, do not handle the container. Secure it and contact EH&S at 951-827-5528 for pick-up and disposal.

## Corrosives

Store corrosive chemicals (i.e., acids, bases) below eye level and in secondary containers that are large enough to contain at least 10% of the total volume of liquid stored or the volume of the largest container, whichever is greater. Acids must always be segregated from bases and from active metals (e.g., sodium, potassium, magnesium) at all times and must also be segregated from chemicals which could generate toxic gases upon contact (e.g., sodium cyanide, iron sulfide).

Specific types of acids require additional segregation. Mineral acids must be kept away from organic acids and oxidizing acids must be segregated from flammable and combustible substances. Perchloric acid should be stored by itself, away from other chemicals. Picric acid is reactive with metals or metal salts and explosive when dry and must contain at least 10% water to inhibit explosion.

## SPECIAL STORAGE REQUIREMENTS

### Compressed Gas Cylinders



Cylinders stored and chained correctly

Compressed gas cylinders that are stored in the laboratory must be chained or strapped to the wall or other stable building member, with the safety cap in place. The cylinders must be restrained by two chains or straps; one chain must be placed at one third from the top of the cylinder, and the other placed at one third from the bottom of the cylinder. If this is not practical, contact EH&S for guidance. Bolted “clam shells” may be used in instances where gas cylinders must be stored or used away from the wall. Store liquefied fuel-gas cylinders securely in the upright position.

**Cylinders are not to be stored in a horizontal position.** Do not expose cylinders to excessive dampness, corrosive chemicals or fumes.

Certain gas cylinders require additional precautions. Flammable gas cylinders must use only flame-resistant gas lines and hoses which carry flammable or toxic gases from cylinders and must have all connections wired. Compressed oxygen gas cylinders must be stored at least 20 feet away from combustible materials and flammable gases.

Gas cylinder connections must be inspected frequently for deterioration and must never be used without a regulator. Never use a leaking, corroded or damaged cylinder and never refill compressed gas cylinders. When stopping a leak between cylinder and regulator, always close the valve before tightening the union nut. The regulator should be replaced with a safety cap when the cylinder is not in use. Move gas cylinders with the safety cap in place using carts designed for this purpose.

## Liquid Nitrogen

Because liquid nitrogen containers are at low pressure and have protective rings mounted around the regulator, they to be affixed to a permanent fixture such as a wall to prevent them from walking or rolling into the egress path in an earthquake. However, additional protection considerations should be addressed when storing liquid nitrogen in a laboratory. The primary risk to laboratory personnel from liquid nitrogen is skin or eye thermal damage caused by contact with the material. In addition, nitrogen expands 696:1 when changing from a cryogenic liquid to a room temperature gas. The gases usually are not toxic, but if too much oxygen is displaced, asphyxiation is a possibility. Always use appropriate thermally insulated gloves when handling liquid nitrogen. Face shields may be needed in cases where splashing can occur.

## On-Campus Distribution of Hazardous Chemicals

Precautions must be taken when transporting hazardous substances between laboratories. Chemicals must be transported between stockrooms and laboratories in break-resistant, secondary containers such as commercially available bottle carriers made of rubber, metal, or plastic, that include carrying handle(s) and which are large enough to hold the contents of the chemical container in the event of breakage. When transporting cylinders of compressed gases, always secure the cylinder with straps or chains onto a suitable hand truck and protect the valve with a cover cap. Avoid dragging, sliding, or rolling cylinders and use a freight elevator when possible. Figure 6.4 illustrates correct cylinder transport.



**Correct Cylinder Transport**

## Off Campus Distribution of Hazardous Chemicals

The transportation of hazardous chemicals and compressed gases over public roads, or by air, is strictly governed by international, federal, and state regulatory agencies, including the U.S. Department of Transportation (DOT) and the International Air Transport Association (IATA). Any person who prepares and/or ships these types of materials must ensure compliance with pertinent regulations regarding training, quantity, packaging, and labeling. Without proper training and packaging, it is illegal to ship hazardous materials. Those who violate the hazardous materials shipment regulations are subject to criminal investigation and penalties. UCR Material Management has trained personnel to ship hazardous and biological materials. EH&S has trained personnel to ship radioactive materials. Individuals who wish to ship or transport hazardous chemicals, compressed gases or biological materials off-campus, must contact UCR Material Management at 951-827- 3134. Individuals who wish to ship radioactive materials off-campus must contact EH&S at 951-827-5528.

## Training

### Introduction

Effective training is critical to facilitate a safe and healthy work environment and prevent laboratory accidents. All Faculty/Other Laboratory Supervisors must participate in formal safety training and ensure that all their employees have appropriate safety training before working in a laboratory. The UCR EH&S Training Program provides both classroom and online training to help meet this requirement and can be accessed at [www.ehs.ucr.edu/training/index.html](http://www.ehs.ucr.edu/training/index.html)

### Types of Training

All laboratory personnel must complete general laboratory safety training before:

1. Beginning work in the laboratory;
2. Prior to new exposure situations; and
3. As work conditions change.

Annual refresher training is also required for all laboratory personnel. EH&S offers online training, plus resource materials to assist laboratories in implementing laboratory-specific training.

### General Laboratory Safety Training

Anyone working in a laboratory is required to complete General Laboratory Safety training, which includes:

- Review of laboratory rules and regulations, including the Chemical Hygiene Plan
- Recognition of laboratory hazards

- Use of engineering controls, administrative controls and personal protective equipment to mitigate hazards
- Exposure limits for hazardous chemicals
- Signs and symptoms associated with exposures to hazardous chemicals
- Chemical exposure monitoring
- Review of reference materials (e.g., SDS) on hazards, handling, storage and disposal of hazardous chemicals
- Procedures for disposing of hazardous chemical waste
- Fire safety and emergency procedures
- Information required by 8CCR3204 regarding access to employee exposure and medical records (annually required) ([www.dir.ca.gov/Title8/3204.html](http://www.dir.ca.gov/Title8/3204.html)).

**All employees (including Faculty (PI's) and other Supervisors) must take the Laboratory Safety Orientation on-line training class prior to starting work in the laboratory.**

In order to determine which additional training is required, fill out the Training Needs Assessment Form which can be found on the EH&S website at:

<http://ehs.ucr.edu/training/assessment.html>

### Laboratory-Specific Training

Faculty/Other Laboratory Supervisors must also provide laboratory-specific training. Topics that require specific training include:

- Location and use of the Chemical Hygiene Plan, IIPP, MSDS(s) and other regulatory information
- Review of IIPP and Emergency Management Plan, including location of emergency equipment and exit routes
- Specialized equipment
- Standard Operating Procedures
- Specialized procedures and protocols
- Particularly Hazardous Substances including physical and health hazards, potential exposure, medical surveillance, and emergency procedures

### Resources

EH&S has a number of tools available for laboratories to simplify the completion of appropriate training, including:

**Online training modules** ([www.ehs.ucr.edu/training/index.html](http://www.ehs.ucr.edu/training/index.html))

Carcinogen Safety	Hazardous Waste Management
Chemical Hygiene Plan	Laboratory Audits/Inspections
Electrical Safety Awareness	Laboratory Safety Orientation
Emergency Action Plan	Safety Data Sheets
Ergonomics for the Laboratory	Safety Orientation
Fire Extinguishers and Fire Prevention Plan	Spill Prevention and Control
Fume Hood Safety	Waste On-Line Tag Program
Hazard Communication	

**Fact Sheets, Brochures, Posters, Signs, Videos** (<http://ehs.ucr.edu/resources/> )

EH&S provides additional assistance in planning laboratory-specific training upon request.



## **Documentation of Training**

Accurate recordkeeping is a critical component of health and safety training. Per OSHA regulations, departments or laboratories are responsible for documenting health and safety training, including safety meetings, one-on-one training, and classroom and online training. Documentation should be maintained in the laboratory safety manual. Additional information on recordkeeping can be found in Compliance and Enforcement section. A training history for all laboratory employees is available to Faculty/Other Laboratory Supervisors upon request from the UC Learning Center Administrator in Human Resources ([www.uclearning.ucr.edu](http://www.uclearning.ucr.edu)). This document can serve as an official record of laboratory safety training conducted by EH&S and others.

## **Audits and Compliance**

### ***Laboratory Safety Audits***

Laboratory safety audits provide an opportunity for departments, faculty, students, and staff to reemphasize safety by focusing on safety topics specific to each research laboratory. Annual audits are conducted by individuals designated by each department whom have research laboratory experience. The audit assesses the overall safety of the laboratory. This program evaluates the labs conformance to UCR's Chemical Hygiene Plan, federal and state regulations, standards, and codes. They are also vital to identifying and addressing potential hazards and unsafe conditions in the laboratory.

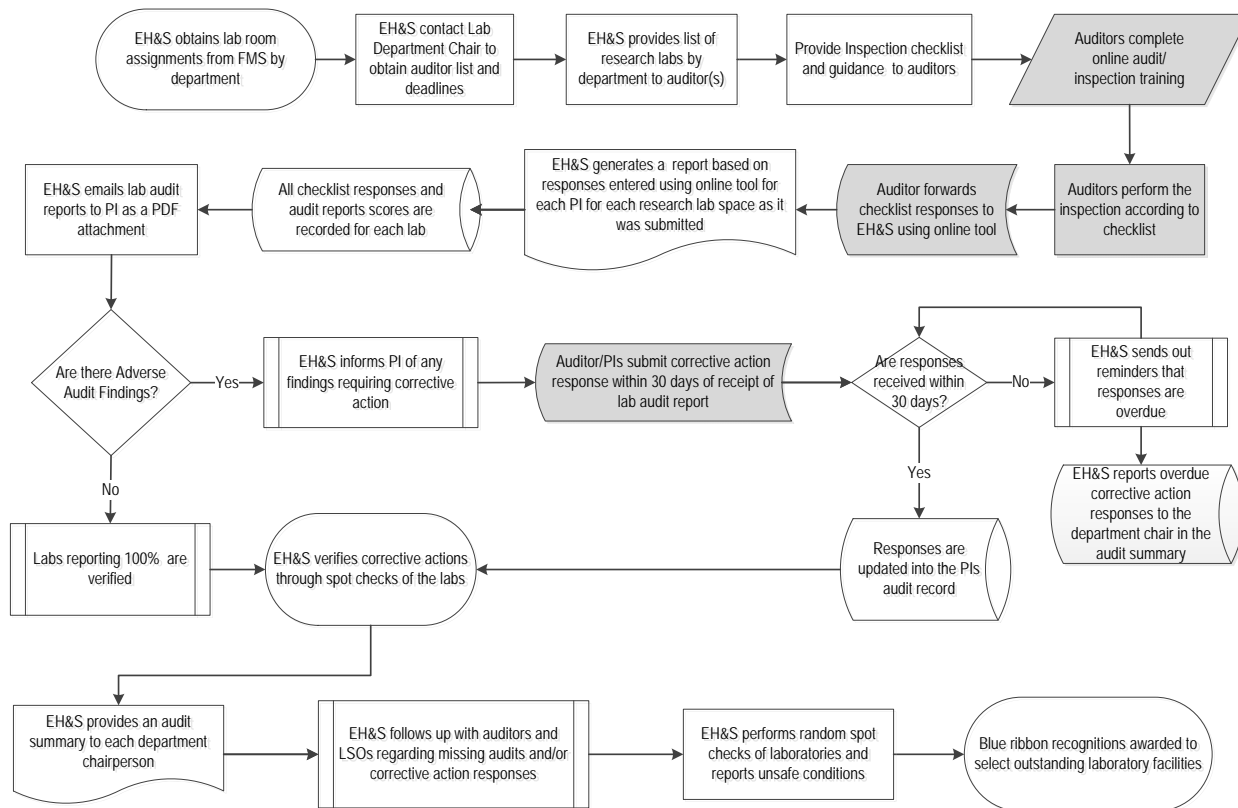
The chemical safety inspection is comprehensive in nature and looks into all key aspects of working with hazardous chemicals. While inspections are a snapshot in time and cannot identify every accident-causing mistake, they do provide important information on the overall operation of a particular laboratory. They can also help to identify weaknesses that may require more systematic action across a broader spectrum of laboratories, and strengths that should be fostered in other laboratories. Inspection audit categories include:

- Documentation and Training;
- Emergency and Safety Information;
- Fire Safety;
- General Safety;
- Use of personal protective equipment (PPE);
- Housekeeping;
- Chemical Storage;
- Fume Hoods;
- Chemical Waste Disposal and Transport;
- Seismic Safety; and
- Mechanical and Electrical Safety.

Inspection results are received at EH&S, with a requirement that any deficiencies be corrected within 30 days and an e-mail sent by the laboratory indicating that the deficiencies have been corrected. A follow-up inspection might also be done after receipt of the inspection results. The flowchart below illustrates the work flow for the laboratory inspection process:



UCR LABORATORY SAFETY SELF-AUDIT PROCESS for FY2012



**NOTIFICATION AND ACCOUNTABILITY**

The audit program requires that Faculty/Other Laboratory Supervisors and other responsible parties take appropriate and effective corrective action upon receipt of inspection findings. Failure to take corrective actions within the required timeframe will result in an escalation of the notification to the Department Chair, Dean and Provost. Depending on the severity of the deficiency, the EH&S Director, in consultation with the Department Chair, Dean, and Provost, may temporarily suspend research activities until the violation is corrected. In some cases, the PI may be required to provide a corrective action plan to the EH&S Director prior to resumption of research activities.

**RECORDKEEPING REQUIREMENTS**

Accurate recordkeeping demonstrates a commitment to the safety and health of the UCR community, integrity of research, and protection of the environment. EH&S is responsible for maintaining records of inspections, accident investigations, equipment calibration. Documentation of training conducted by EH&S staff can be accessed via the Learning Management System (LMS). Per OSHA regulations, departments or laboratories must document health and safety training, including safety meetings, one-on-one training, and classroom and online training. Additionally, the following records must be retained in accordance with the requirements of state and federal regulations:

- Accident records;

- Measurements taken to monitor employee exposures;
- Chemical Hygiene Plan records should document that the facilities and precautions were compatible with current knowledge and regulations;
- Inventory and usage records for high-risk substances should be kept;
- Any medical consultation and examinations, including tests or written opinions required by CCR, Title 8, Section 5191; and
- Medical records must be retained in accordance with the requirements of state and federal regulations.

## Hazardous Chemical Waste Management

### *Hazardous Waste Program*

The EH&S Hazardous Materials Program manages the shipment and disposal of all hazardous waste generated on campus. Each laboratory employee must comply with the campus Hazardous Waste Management Program requirements and all applicable regulations. A regular pick-up service is provided to all research buildings on campus. Laboratory personnel are responsible for identifying waste, labeling it, storing it properly in the laboratory, and transporting waste to their designated pick-up location on time. Laboratory clean-outs and disposal of high hazard compounds must be scheduled at least 2 weeks in advance. The PI/Laboratory Supervisor is responsible for coordinating the disposal of all chemicals from his/her laboratories prior to closing down laboratory operations.

### **Regulation of Hazardous Waste**

In California, hazardous waste is regulated by the Department of Toxic Substance Control (DTSC), a division within the California Environmental Protection Agency (Cal/EPA). Federal EPA regulations also govern certain aspects of hazardous waste management, since most of our waste is treated and disposed out of state. These hazardous waste regulations are part of the Resource Conservation and Recovery Act, or RCRA. Local enforcement authority is administered by the Los Angeles County Health Hazardous Materials Division.

### **DEFINITION OF HAZARDOUS WASTE**

Federal and State regulations define hazardous wastes as a substance which poses a hazard to human health or the environment when improperly managed. A chemical waste is considered hazardous if it is either listed on one of the lists found in Federal or State regulations or if it exhibits one or more of the four following characteristics:

1. **Ignitable** - ignitable wastes generally are liquids with a flash point below 60°C or 140°F (however, just because a material has a higher flash point, it still cannot be drain disposed).
2. **Corrosive** - corrosive wastes are generally aqueous wastes with a pH less than or equal to two (2) or greater than or equal to 12.5
3. **Reactive** - reactive wastes are those wastes that are unstable, explosive, capable of detonation or react violently with water.
4. **Toxic** - a chemical that poses a hazard to health or the environment (this can be a gray area).

To assist in waste determination, review the Hazardous Chemicals List ([www.ehs.ucr.edu/waste/hazardouschemicals.xls](http://www.ehs.ucr.edu/waste/hazardouschemicals.xls)).

The EPA definition of hazardous waste also extends to the following items:

- Abandoned chemicals
- Unused or unwanted chemicals
- Chemicals in deteriorating containers
- Empty containers that have visible residues
- Containers with conflicting labels
- Unlabeled or unknown chemicals

Chemicals not in frequent use must be carefully managed to prevent them from being considered a hazardous waste. This is especially true for certain compounds that degrade and destabilize over time and require careful management so that they do not become a safety hazard (review “Wastes that Require Special Handling”).

### **Extremely Hazardous Waste**

Certain compounds meet an additional definition known as “extremely hazardous waste”. This list of compounds includes carcinogens, pesticides, and reactive compounds, among others (e.g., formaldehyde, chloroform, and hydrofluoric acid). The Federal EPA refers to this waste as “acutely hazardous waste”, but Cal/EPA has published a more detailed list of extremely hazardous waste. Both the State and the Federal lists are included in the EH&S list of extremely hazardous waste, through [www.ehs.ucr.edu/waste](http://www.ehs.ucr.edu/waste). NOTE: While there is some overlap with the list of Particularly Hazardous Substances, the extremely hazardous waste list is specific to the hazardous waste management.

### ***Proper Hazardous Waste Management***

#### **Training**

The EH&S website (<http://ehs.ucr.edu/training/index.html> ) contains a Hazardous Waste Management on-line training presentation. This training is required for all individuals in all research laboratories that use chemicals, biological materials, and radioactive materials.

#### **Waste Identification**

All the chemical constituents in each hazardous waste stream must be accurately identified by knowledgeable laboratory personnel. This is a critical safety issue for both laboratory employees and the waste technicians that handle the waste once it is turned over to EH&S. Mixing of incompatible waste streams has the potential to create violent reactions and is a common cause of laboratory accidents. If there is uncertainty about the composition of a waste stream resulting from an experimental process, laboratory workers must consult the PI/Laboratory Supervisor or the Environmental Programs Manager. In most cases, careful documentation and review of all chemical products used in the experimental protocol will result in accurate waste stream characterization.

The manufacturer’s SDS provides detailed information on each hazardous ingredient in laboratory reagents and other chemical products, and also the chemical, physical, and toxicological properties of that ingredient. The UC SDS library ([www.ehs.ucr.edu/services/msds.html](http://www.ehs.ucr.edu/services/msds.html)) provides an extensive library of research chemicals.

Waste streams that have a large percentage of ingredients listed as proprietary information should be discussed with the Hazardous Materials Program Manager.

## **Labeling**

UCR uses the UC system-wide online tag program (OTP). Information on how to use OTP is included in the Hazardous Materials on-line training course.

## **Online Tag Program**

### ***How to Create an Account***

Online Tag Program (OTP) accounts are maintained under the name of the PI. Employees should ascertain if an account has already been established for their PI and associated laboratory(s). If a new account needs to be established, please contact the Environmental Programs Manager at 951-827-2416.

### ***How to Use OTP***

Once an account has been established, employees can print labels from their laboratory's printer, and then affix the tag to the waste container by sliding it into the plastic envelope provided by EH&S

Each label must be completed accurately, and the tag must be updated as the contents of the waste container change. Product names or abbreviations for waste container ingredients should not be used. OTP tags cannot be photocopied, as each tag has a unique bar code that is used to track that individual container. Employees may save a profile in the program for waste streams that are frequently generated

When waste containers approach the maximum allowable storage period in the laboratory accumulation area, all the contacts for that OTP account are emailed a reminder to bring their waste to a scheduled pick-up location or to request a pick-up from EH&S. When EH&S collects the waste, the tags are scanned and the containers are entered into the inventory for the campus waste accumulation area and removed from the laboratory inventory

## **Storage**

The hazardous waste storage area in each laboratory is considered a Satellite Accumulation Area (SAA). According to EPA requirements, this area must remain under the control of the persons producing the waste. This means that it should be located in an area that is supervised and is not accessible to the public. Other SAA requirements include:

- Hazardous waste containers must be labeled with an OTP tag at all times
- Waste must be collected and stored at or near the point of generation
- The maximum amount of waste that can be stored in a SAA is 55 gallons of a hazardous waste or 1 quart of extremely hazardous waste. If you reach these volumes for extremely hazardous waste, you must have the waste removed within 3 days
- The maximum amount of flammable solvents allowed to be stored in a laboratory includes flammable waste solvents
- All hazardous waste containers in the laboratory must be kept closed when not in use



- Hazardous waste streams must have compatible constituents, and must be compatible with the containers that they are stored in
- Hazardous waste containers must be stored in secondary containment at all times.
- Containers must be in good condition with leak proof lids
- Containers must be less than 80% full
- Dry wastes must be double-bagged in clear, 3-mil plastic bags

## Segregation

All hazardous materials must be managed in a manner that prevents spills and uncontrolled reactions. Stored chemicals and waste should be segregated by hazard class. Examples of proper segregation are:

- Segregate acids from bases
- Segregate oxidizers from organics
- Segregate cyanides from acids

Segregation of waste streams should be conducted in a similar manner to segregation of chemical products. Refer [www.ehs.ucr.edu/hazardousmaterials](http://www.ehs.ucr.edu/hazardousmaterials) for chemical segregation guidelines.

## Incompatible Waste Streams

Mixing incompatible waste streams, or selecting a container that is not compatible with its contents, is a common cause of accidents in laboratories and waste storage facilities. Reactive mixtures can rupture containers and explode, resulting in serious injury and property damage. All chemical constituents and their waste byproducts must be compatible for each waste container generated. Waste tags must be immediately updated when a new constituent is added to a mixed waste container, so that others in the laboratory will be aware and manage it accordingly.

### Some common incompatible waste streams include:

- Oxidizers added to any fuel can create an exothermic reaction and explode. The most frequent is acids oxidizing flammable liquids. For this reason, all flammable liquids are pH tested before they are consolidated
- Piranha etch solution is a specific waste stream that contains sulfuric acid and hydrogen peroxide, which form a reactive mixture that is often still fuming during disposal. For this waste stream, and other reactive mixtures like it, vented caps are mandatory

## Wastes That Require Special Handling

### Unknowns

Unlabeled chemical containers and unknown/unlabeled wastes are considered unknowns, and additional fees must be paid to have these materials analyzed and identified. These containers must be labeled with the word “unknown”.

### Peroxide Forming Chemicals

Peroxide forming chemicals, or PFCs, include a number of substances that can react with air, moisture or product impurities, and undergo a change in their chemical composition during normal storage. The peroxides that form are highly reactive and can explode upon shock or

spark. Peroxides are not particularly volatile and thus tend to precipitate out of liquid solutions. It is particularly dangerous to allow a container of these materials to evaporate to dryness, leaving the crystals of peroxide on the surfaces of the container.

Each container of peroxide forming chemicals should be dated with the date received and the date first opened. There are three classes of peroxide forming chemicals, with each class having different management guidelines. A review of the safety information provided by the manufacturer can be used as a guide to managing PFCs.

Ensure containers of PFCs are kept tightly sealed to avoid unnecessary evaporation, as this inhibits the stabilizers that are sometimes added. Visually inspect containers periodically to ensure that they are free of exterior contamination or crystallization. PFC containers must be disposed of prior to expiration date. If old containers of peroxide forming chemicals are discovered in the laboratory, (greater than two years past the expiration date or if the date of the container is unknown), do not handle the container. If crystallization is present in or on the exterior of a container, do not handle the container. Secure it and contact the EH&S at 951-827-5528.

### **Dry Picric Acid**

Picric acid (also known as trinitrophenol) must be kept hydrated at all times, as it becomes increasingly unstable as it loses water content. When dehydrated, it is not only explosive but also sensitive to shock, heat and friction. Picric acid is highly reactive with a wide variety of compounds (including many metals) and is extremely susceptible to the formation of picrate salts. Be sure to label all containers that contain picric acid with the date received, and then monitor the water content every 6 months. Add distilled water as needed to maintain a consistent liquid volume.

If old or previously unaccounted for bottles of picric acid are discovered, do not touch the container. Depending on how long the bottle has been abandoned and the state of the product inside, even a minor disturbance could be dangerous. Visually inspect the contents of the bottle without moving it to evaluate its water content and look for signs of crystallization inside the bottle and around the lid. If there is even the slightest indication of crystallization, signs of evaporation, or the formation of solids in the bottle, do not handle the container and contact EH&S at 951-827-5528 immediately. Secure the area and restrict access to the container until it can be evaluated by EH&S personnel.

### **Explosives and Compounds with Shipping Restrictions**

A variety of other compounds that are classified as explosives or are water or air reactive are used in research laboratories. These compounds often have shipping restrictions and special packaging requirements. When disposing of these compounds, employees must ensure that they are stored appropriately for transport. Flammable metals must be completely submerged in oil before they are brought to a waste pick-up. Many pyrophoric and reactive compounds can be stabilized using a quenching procedure prior to disposal. Chemicals classified by the Department of Transportation (DOT) as explosives (e.g., many nitro- and azo- compounds) will require special packaging and shipping, and may require stabilization prior to disposal. Consult with the Environmental Programs Manager for disposal considerations of these compounds.

## Managing Empty Containers

Empty containers that held Extremely Hazardous waste must be managed as hazardous waste. Do not rinse or reuse these containers.

All other hazardous waste containers, if they are less than 5 gallons in size, should either be reused for hazardous waste collection, or should be cleaned and discarded or recycled. Proper cleaning involves triple rinsing the container, with the first rinse collected as hazardous waste. Then the labels should be completely defaced (remove it or mark it out completely). Empty containers 5 gallons in size or more should be turned in to EH&S or brought to a hazardous waste pick-up.

## Transportation

It is a violation of DOT regulations to transport hazardous waste in personal vehicles, or to carry hazardous waste across campus streets that are open to the public. As a result, EH&S provides pick-up services for all hazardous waste generators. These routine waste pick-ups are for routinely generated research wastes. Special pick-ups and laboratory clean-outs are available upon request.

## Disposal

Frequent disposal will ensure that waste accumulation areas in labs are managed properly, and that maximum storage volumes are not exceeded. UCR policy states that hazardous chemical waste can be stored in a laboratory for up to 90 days. Once a waste container is 80% full or it is near the 180 day time limit, it should be picked up by EH&S.

## Hazardous Waste Minimization

UCR is a large quantity generator of hazardous waste. In an effort to minimize the costs, health hazards, and environmental impacts associated with the disposal of hazardous waste, below are some guidelines regarding waste minimization:

**ADMINISTRATIVE CONTROLS:** Check the inventory of the Surplus Chemical Redistribution Program before new products are ordered. When ordering chemicals, be aware of any properties that may preclude long term storage, and order only exact volumes to be used. Using suppliers who can provide quick delivery of small quantities can assist with reducing surplus chemical inventory.

**Inventory Control:** Rotate chemical stock to keep chemicals from becoming outdated. Locate surplus/unused chemicals and attempt to redistribute these to other users, or investigate giving them to EH&S for the Surplus Chemical Redistribution Program.

**Operational Controls:** Review your experimental protocol to ensure that chemical usage is minimized. Reduce total volumes used in experiments; employ small scale procedures when possible. Instead of wet chemical techniques, use instrumental methods, as these generally require smaller quantities of chemicals. Evaluate the costs and benefits of off-site analytical services. Avoid mixing hazardous and non-hazardous waste streams. Use less hazardous or non-hazardous substitutes when feasible. Some examples include:

- Specialty detergents can be substituted for sulfuric acid/chromic acid cleaning solutions
- Gel Green and Gel Red are recommended in place of ethidium bromide

## **Drain Disposal**

UCR does not permit drain disposal of chemical wastes, unless a specific dilution and/or neutralization method for a consistent waste stream has been reviewed and approved by EH&S. This applies to weak acid and base solutions. As indicated in previous sections, EPA hazardous waste definitions specify that materials with a pH between 2.5 and 12.5 are not hazardous wastes. However, drain disposal of these materials is still not permitted, because local waste water discharge requirements have more restrictive pH thresholds. In addition, acid and base neutralization is considered waste treatment, a process that is strictly regulated by the Cal/EPA (see “Bench Top Treatment” below). Contact EH&S for specific questions about drain disposal options.

Drain disposal of properly disinfected infectious or biohazardous liquids is acceptable, if disinfection is conducted as specified by the EH&S Biosafety Program, and the liquids disposed contain no other hazardous constituents.

## ***BENCH TOP TREATMENT***

Cal/EPA regulations allow some limited bench top treatment of certain chemical waste streams in laboratories provided that specific procedures are followed. Due to the stringent nature of these requirements, any treatment of hazardous waste in labs must be reviewed and approved by EH&S.

## **Accidents and Chemical Spills**

### **Overview**

Laboratory emergencies may result from a variety of factors, including serious injuries, fires and explosions, spills and exposures, and natural disasters. All laboratory employees should be familiar with and aware of the location of their laboratory’s emergency response plans and safety manuals. Before beginning any laboratory task, know what to do in the event of an emergency situation. Identify the location of safety equipment, including first aid kits, eye washes, safety showers, fire extinguishers, fire alarm pull stations, and spill kits. Plan ahead and know the location of the closest fire alarms, exits, and telephones in your laboratory. For all incidents requiring emergency response, call UCPD at 911 from a campus phone or 951-827-5222 from off-campus or cell phones.

### ***Accidents***

Faculty/Other Laboratory Supervisors are responsible for ensuring that their employees receive appropriate medical attention in the event of an occupational injury or illness. All accidents and near misses must be reported to EH&S at 951-827-5528. EH&S will conduct an accident investigation and develop recommendations and corrective actions to prevent future accidents. At a minimum, each laboratory must have the following preparations in place:

- Fully stocked first aid kit (the UCR storehouse has these available)
- Posting of emergency telephone numbers and locations of emergency treatment facilities
- Training of staff to accompany injured personnel to medical treatment site and to provide
- medical personnel with copies of SDS(s) for the chemical(s) involved in the incident

## UCR Laboratory Safety Rules

1. Familiarize yourself with the lab, location and operation of the safety features (exits, fire extinguishers, safety showers, eye wash facility, and first aid and spill kits) and document this.
2. Make sure you have documented [training](#) on all aspects of lab safety relevant to your work prior to beginning potentially hazardous activities and when changes are made to the procedures.
3. Use the [Integrated Safety and Environmental Management](#) (ISEM) [five step process](#) to include safety in your preparation for lab activities.
4. Immediately notify your PI or supervisor of all accidents and incidents (spills, splashes, fires, etc.) and [seek medical attention](#) when needed.
5. Wear appropriate [protective eyewear](#) (approved goggles or safety glasses) while in a room where anyone is working with hazardous chemicals or biologicals that can splash into your eyes, or around physical hazards (e.g., pressure vessels, lasers, etc.). Wash your hands before you leave the lab.
6. Use appropriate [Personal Protective Equipment](#), such as approved gloves, safety glasses or goggles, apron or lab coat and clothes that cover most of your skin, such as long pants, and close toed shoes, especially when using hazardous materials.
7. Do not eat, drink, smoke, or apply makeup in rooms where chemical, radioactive, or biological hazards are present.
8. [Store all chemicals and other hazardous materials](#) according to California State Law and UCR policy. Know your chemical compatibilities/incompatibilities, stability, shelf life and recommended storage conditions.
9. [Dispose of all waste](#) in the correct manner in accordance with UCR policy. There are specific protocols for chemicals, contaminated and broken glass and plastic, sharps, radioactive isotopes and biological agents.
10. Know how to respond properly in an [emergency](#). Clean up all [spills](#) safely and promptly, and report them to the Lab supervisor. If unsure how to safely clean up a spill, ask supervisor or EH&S for assistance.

For an online version [www.ehs.ucr.edu/laboratory](http://www.ehs.ucr.edu/laboratory)

If an employee has a severe or life threatening injury, call for emergency response. Employees with minor injuries should be treated with first aid kits as appropriate, and sent to the Occupational Health Facility for further evaluation and treatment. After normal business hours, treatment can be obtained at designated medical centers and emergency rooms.

Serious occupational injuries, illnesses, and exposures to hazardous substances must be reported to the EH&S at 951-827-5528 within 8 hours. EH&S will report the event to Cal/OSHA, investigate the accident, and complete exposure monitoring if necessary. Serious injuries include those that result in permanent impairment or disfigurement, or require hospitalization. Examples include amputations, lacerations with severe bleeding, burns, concussions, fractures and crush injuries. As soon as Faculty/Other Laboratory Supervisors are aware of a potentially serious incident, they must contact EH&S. "Injuries and Medical Treatment Flipcharts" should be posted in each laboratory with instructions on reporting injuries to EH&S to ensure that all serious injuries are reported to Cal/OHSA within 8 hours.



## ***Fire-Related Emergencies***

If you encounter a fire, or a fire-related emergency (e.g., abnormal heating, smoke, burning odor), immediately follow these instructions:

1. Pull the fire alarm pull station and call 911 from a campus phone or 310-825-1491 from an off-campus or cell phone to notify the Fire Department;
2. Evacuate and isolate the area
  - Use portable fire extinguishers to facilitate evacuation and/or control a small fire (i.e., size of a small trash can), if safe to do so.
  - If possible, shut off equipment before leaving
3. Close doors;
4. Remain safely outside the affected area to provide details to emergency responders; and
5. Evacuate the building when the alarm sounds. It is against state law to remain in the building when the alarm is sounding. If the alarm sounds due to a false alarm or drill, you will be allowed to re-enter the building as soon as the Fire Department determines that it is safe to do so. Do not go back in the building until the alarm stops and you are cleared to reenter.
6. If your clothing catches on fire, go to the nearest emergency shower immediately. If a shower is not immediately available, then stop, drop, and roll. A fire extinguisher may be used to extinguish a fire on someone's person. Report any burn injuries to the supervisor immediately and seek medical treatment. Report to the EH&S at 951-827-5528 within 8 hours every time a fire extinguisher is discharged.

## ***Chemical Spills***

Chemical spills can result in chemical exposures and contaminations. Chemical spills become emergencies when:

- The spill results in a release to the environment (e.g., sink or floor drain)
- The material or its hazards are unknown
- Laboratory staff cannot safely manage the hazard because the material is too hazardous or the quantity is too large

Effective emergency response to these situations is imperative to mitigate or minimize adverse reactions when chemical incidents occur.

## **Factors to Consider before Spill Clean-Up**

1. Size of spill area
2. Quantity of chemical
3. Toxicity
4. Volatility
5. Clean up materials available
6. Training of responders

In the event of a significant chemical exposure or contamination, immediately try to remove or isolate the chemical if safe to do so. When skin or eye exposures occur, remove contaminated clothing and flush the affected area using an eye wash or shower for at least 15 minutes. If a chemical is ingested, drink plenty of water. Obtain medical assistance as indicated. Remember to wear appropriate PPE before helping others. PIs/ Laboratory Supervisors must review all

exposure situations, make sure affected employees receive appropriate medical treatment and/or assessment, and arrange for containment and clean-up of the chemical as appropriate. Small chemical spills can be cleaned up by laboratory personnel who have been trained in spill clean up and with the appropriate materials. A small spill is generally defined as < 1 liter of chemical that is not highly toxic, does not present a significant fire or environmental hazard, and is not in a public area such as a common hallway. Large chemical spills include spills of larger quantities, spills of any quantity of highly toxic chemicals, or chemicals in public areas or adjacent to drains. Large spills require emergency response. Call 911 from a campus phone or 95-827-5222 from an off-campus or cell phone for assistance.

### What to do with a Small Chemical Spill

- Evacuate all non-essential persons from the spill area
- If needed, call for medical assistance by dialing 911 from a campus phone or 951-827-5222 from an off-campus location or cell phone
- Help anyone who may have been contaminated. Use emergency eyewashes/showers by flushing the skin or eyes for at least 15 minutes
- Post someone just outside the spill area to keep people from entering. Avoid walking through contaminated areas
- You must have the proper protective equipment and clean-up materials to clean-up spills. Check the chemical's Material Safety Data Sheet (MSDS) in your laboratory or online ([www.ehs.ucr.edu/services/msds.html](http://www.ehs.ucr.edu/services/msds.html)) for spill clean-up procedures, or call EH&S at 951-827-5288 for advice
- Turn off sources of flames, electrical heaters, and other electrical apparatus, and close valves on gas cylinders if the chemical is flammable
- Confine the spill to a small area. Do not let it spread
- Avoid breathing vapors from the spill. If the spill is in a non-ventilated area, do not attempt to clean it up. Call for emergency personnel to respond and clean up the spill
- Wear personal protective equipment, including safety goggles, gloves, and a laboratory coat or other protective garment to clean-up the spill
- Work with another person to clean-up the spill. Do not clean-up a spill alone



### **DO NOT ADD WATER TO THE SPILL**

Use an appropriate kit to neutralize and absorb inorganic acids and bases. For other chemicals, use the appropriate kit or absorb the spill with sorbent pads, paper towels, vermiculite, dry sand, or diatomaceous earth. For mercury spills and specific procedures for all other spills contact EH&S. Collect the residue and place it in a clear plastic bag. Double bag the waste and label the bag with the contents and label it to be picked up a chemical waste.

### **WHAT TO DO WITH A LARGE CHEMICAL SPILL**

Large chemical spills require emergency response. Call 911 from a campus phone or 951-827-5222 from an off-campus or cell phone. If the spill presents a situation that is immediately dangerous to life or health (IDLH) or presents a significant fire risk, activate a fire alarm, evacuate the area and wait for emergency response to arrive.

- Remove the injured and/or contaminated person(s) and provide first aid
- Call for emergency medical response
- As you evacuate the laboratory, close the door behind you, and:
- Post someone safely outside and away from the spill area to keep people from entering  
Confine the spill area if possible and safe to do so
- Leave on or establish exhaust ventilation
- If possible, turn off all sources of flames, electrical heaters, and other electrical equipment if the spilled material is flammable
- Avoid walking through contaminated areas or breathing vapors of the spilled material
- Any employee with known contact with a particularly hazardous chemical must shower, including washing of the hair as soon as possible unless contraindicated by physical injuries

## Highly Toxic Chemical Spills

**All spills of these chemicals require emergency response, do not clean up by yourself!**

- |                   |                    |
|-------------------|--------------------|
| • Aromatic amines | • Carbon disulfide |
| • Hydrazine       | • Nitro-compounds  |
| • Bromines        | • Cyanides         |
| • Nitriles        | • Organic halides  |

## Definitions

**ACGIH** - The American Conference of Governmental Industrial Hygienists is a voluntary membership organization of professional industrial hygiene personnel in governmental or educational institutions. The ACGIH develops and publishes recommended occupational exposure limits each year called Threshold Limit Values (TLVs) for hundreds of chemicals, physical agents, and biological exposure indices.

**ACTION LEVEL** - A concentration designated in Title 8, California Code of Regulations for a specific substance, calculated as an eight (8)-hour time weighted average, which initiates certain required activities such as exposure monitoring and medical surveillance.

**AEROSOL** - Liquid droplets or solid particles dispersed in air that are of fine enough size (less than 100 micrometers) to remain dispersed for a period of time.

**ASPHYXIAN** - A chemical (gas or vapor) that can cause death or unconsciousness by suffocation. Simple asphyxiants, such as nitrogen, either use up or displace oxygen in the air. They become especially dangerous in confined or enclosed spaces. Chemical asphyxiants, such as carbon monoxide and hydrogen sulfide, interfere with the body's ability to absorb or transport oxygen to the tissues.

**"C" OR CEILING** - A description usually seen in connection with a published exposure limit. It refers to the concentration that should not be exceeded, even for an instant. It may be written as TLV-C or Threshold Limit Value - Ceiling. (See also Threshold Limit Value).

**CARCINOGEN** - A cancer-producing substance or physical agent in animals or humans. A chemical is considered a carcinogen or potential carcinogen if it is so identified in any of the following:

- National Toxicology Program, "Annual Report of Carcinogens" (latest edition)
- International Agency for Research on Cancer, "Monographs" (latest edition)
- OSHA, 29 CFR 1910, Subpart Z, Toxic and Hazardous Substances

**CHEMICAL HYGIENE PLAN** - A written program developed and implemented by the employer which sets forth procedures, equipment, personal protective equipment, and work practices that (1) are capable of protecting employees from the health hazards presented by hazardous chemicals used in that particular workplace and (2) meets the requirements of OSHA regulation 29 CFR 1910.1450.

**COMBUSTIBLE LIQUID** - Any liquid having a flashpoint at or above 100°F (37.8°C) but below 200°F (93.3°C) except any mixture having components with flashpoints of 200°F or higher, the total volume of which make up 99% or more of the total volume of the mixture.

**COMPRESSED GAS** - A gas or mixture of gases having, in a container, an absolute pressure exceeding 40 psi at 70°F (21.1°C), or; a gas or mixture of gases having, in a container, an absolute pressure exceeding 104 psi at 130°F (54.4°C) regardless of the pressure at 70°F (21.1°C), or; a liquid having a vapor pressure exceeding 40 psi at 100°F (37.8°C) as determined by ASTM D-32372.

**CORROSIVE** - A substance that, according to the DOT, causes visible destruction or permanent changes in human skin tissue at the site of contact or is highly corrosive to steel.

**DESIGNATED AREA** - An area which has been established and posted with signage for work involving hazards (e.g., "select carcinogens," reproductive toxins, or substances which have a high degree of acute toxicity). A designated area may be the entire laboratory, an area of a laboratory, or a device such as a laboratory hood.

**EMERGENCY** - Any potential occurrence, such as, but not limited to, equipment failure, rupture of containers, or failure of control equipment which could result in an uncontrolled release of a hazardous chemical into the workplace.

**EXPLOSIVE** - A chemical that causes a sudden, almost instantaneous release of pressure, gas, and heat when subjected to a sudden shock, pressure, or high temperature.

**FLAMMABLE** - A chemical that falls into one of the following categories:

1. Flammable aerosol - an aerosol that, when tested by the method described in 16 CFR 1500.45, yields a flame projection exceeding 18 inches at full valve opening, or a flashback (a flame extending back to the valve) at any degree of valve opening;
2. Flammable gas - a gas that, at ambient temperature and pressure, forms a flammable mixture with air at a concentration of 13% by volume or less; or a gas that, at ambient temperature and pressure, forms a range of flammable mixtures with air wider than 12% by volume, regardless of the lower limit;
3. Flammable liquid - any liquid having a flashpoint below 100°F (37.8°C), except any mixture having components with flashpoints of 100°F (37.8°C) or higher, the total of which make up 99% or more of the total volume of the mixture; or
4. Flammable solid - a solid, other than a blasting agent or explosive as defined in 1910.109(a), that is liable to cause fire through friction, absorption of moisture, spontaneous chemical change, or retained heat from manufacturing or processing, or which can be ignited readily and, when ignited, burns so vigorously and persistently as to create a serious hazard. A chemical shall be considered to be a flammable solid if, when tested by the method described in 16 CFR 1500.44, it ignites and burns with a self-sustained flame at a greater than one-tenth of an inch per second along its major axis.

**FLASHPOINT** - The minimum temperature at which a liquid gives off a vapor in sufficient concentration to ignite in the presence of an ignition source or when tested as follows:

1. **Tagliabue Closed Tester** (See American National Standard Method of Test for Flashpoint by Tag Closed Tested, Z11.24-1979 (ASTM D-56-79) for liquids with a viscosity of less than 45 Saybolt Universal Seconds (SUS) at 100oF (37.8°C) or that contain suspended solids and do not have a tendency to form a surface film under test;
2. **Pensky-Martens Closed Tester** (See American National Standard Method of Test for Flashpoint by Pensky-Martens Closed Tester, Z11.7-1979 (ASTM D-73-79) for liquids with a viscosity equal to or greater than 45 SUS at 100oF (37.8°C), or that contain suspended solids, or that have a tendency to form a surface film under test; or,
3. **Setaflash Closed Tester** (See American National Standard Method of Test for Flashpoint of Setaflash Closed Tester (ASTM D-3278-78)). Organic peroxides, which undergo auto accelerating thermal decomposition, are excluded from any flashpoint determination methods specified above.

**GENERAL VENTILATION** - Also known as general exhaust ventilation, this is a system of ventilation consisting of either natural or mechanically induced fresh air movements to mix with and dilute contaminants in the workroom air. This is not the recommended type of ventilation to control contaminants that are highly toxic, when there may be corrosion problems from the contaminant, when the worker is close to where the contaminant is being generated, and where fire or explosion hazards are generated close to sources of ignition. (See Local Exhaust Ventilation)

**HAZARD ASSESSMENT** - A formal procedure undertaken by the supervisor in which occupational hazards for all employees are described per procedure or task, and by affected body part(s) or organ(s), and which is documented and posted in the workplace with all personal protective equipment requirements.

**HAZARD WARNING** - Any words, pictures, symbols or combination thereof appearing on a label or other appropriate form of warning which convey the hazards of the chemical(s) in the container(s).

**HAZARDOUS MATERIAL** - Any material which is a potential/actual physical or health hazard to humans.

**HAZARDOUS MATERIAL (DOT)** - A substance or material capable of posing an unreasonable risk to health, safety, and property when transported including, but not limited to, compressed gas, combustible liquid, corrosive material, cryogenic liquid, flammable solid, irritating material, material poisonous by inhalation, magnetic material, organic peroxide, oxidizer, poisonous material, pyrophoric liquid, radioactive material, spontaneously combustible material, an water-reactive material.

**HAZARDOUS CHEMICAL** - A chemical for which there is statistically significant evidence based on at least one study conducted in accordance with established scientific principles that acute or chronic health effects may occur in exposed employees. The term "health hazard" includes chemicals which are carcinogens, toxic or highly toxic agents, reproductive toxins, irritants, corrosives, sensitizers, hepatotoxins, nephrotoxins, neurotoxins, agents which act on the hematopoietic system, and agents which damage the lungs, skin, eyes or mucous membranes. A chemical is also considered hazardous if it is listed in any of the following:

1. OSHA, 29 CFR 1910, Subpart Z, Toxic and Hazardous Substances;
2. "Threshold Limit Values for Chemical Substances and Physical Agents in the Work Environment," ACGIH (latest edition);
3. "The Registry of Toxic Effects of Chemical Substances," NIOSH (latest edition)

**HIGHLY TOXIC** -A substance falling within any of the following categories:



1. A substance that has a median lethal dose (LD50) of 50 milligrams or less per kilogram of body weight when administered orally to albino rats weighing between 200 and 300 grams each;
2. A substance that has a median lethal dose (LD50) of 200 milligrams or less per kilogram of body weight when administered by continuous contact for 24 hours (or less if death occurs within 24 hours) with the bare skin of albino rabbits weighing between two and three kilograms each; or
3. A substance that has a median lethal concentration (LC50) in air of 200 parts per million by volume or less of gas or vapor, or 2 milligrams per liter or less of mist, fume, or dust, when administered by continuous inhalation for one hour (or less if death occurs within one hour) to albino rats weighing between 200 and 300 grams each.

**IGNITABLE** - A solid, liquid or compressed gas waste that has a flashpoint of less than 140°F. Ignitable material may be regulated by the EPA as a hazardous waste as well.

**INCOMPATIBLE** - The term applies to two substances to indicate that one material cannot be mixed with the other without the possibility of a dangerous reaction.

**IRRITANT** - A substance which, by contact in sufficient concentration for a sufficient period of time, will cause an inflammatory response or reaction of the eye, skin, nose or respiratory system. The contact may be a single exposure or multiple exposures. Some primary irritants: chromic acid, nitric acid, sodium hydroxide, calcium chloride, amines, metallic salts, chlorinated hydrocarbons, ketones and alcohols.

**LABEL** - Any written, printed or graphic material displayed on or affixed to containers of chemicals, both hazardous and non-hazardous.

**LABORATORY TYPE HOOD** - A device located in a laboratory, enclosed on five sides with a movable sash or fixed partial enclosure on the remaining side; constructed and maintained to draw air from the laboratory and to prevent or minimize the escape of air contaminants into the laboratory; and allows chemical manipulations to be conducted in the enclosure without insertion of any portion of the employee's body other than hands and arms.

**LABORATORY USE OF HAZARDOUS CHEMICALS** - Handling or use of such chemicals in which all of the following conditions are met:

1. Chemical manipulations are carried out on a "laboratory scale";
2. Multiple chemical procedures or chemicals are used;
3. The procedures involved are not part of a production process nor in any way simulate a production process; and
4. "Protective laboratory practices and equipment" are available and in common use to minimize the potential for employee exposure to hazardous chemicals.

**LOCAL EXHAUST VENTILATION** (Also known as exhaust ventilation) – A ventilation system that captures and removes the contaminants at the point they are being produced before they escape into the workroom air. The system consists of hoods, ductwork, a fan, and possibly an air-cleaning device. Advantages of local exhaust ventilation over general ventilation include: it removes the contaminant rather than dilutes it, requires less airflow and, thus, is more economical over the long term; and the system can be used to conserve or reclaim valuable materials; however, the system must be properly designed with the correctly shaped and placed hoods, and correctly sized fans and ductwork.

**MEDICAL CONSULTATION** - A consultation which takes place between an employee and a licensed physician for the purpose of determining what medical examinations or procedures, if

any, are appropriate in cases where a significant exposure to a hazardous chemical may have taken place.

**MIXTURE** - Any combination of two or more chemicals if the combination is not, in whole or in part, the result of a chemical reaction.

**MUTAGEN** - Anything that can cause a change (or mutation) in the genetic material of a living cell.

**NFPA** - The National Fire Protection Association; a voluntary membership organization whose aims are to promote and improve fire protection and prevention. NFPA has published 16 volumes of codes known as the National Fire Codes. Within these codes is Standard No. 705, "Identification of the Fire Hazards of Materials". This is a system that rates the hazard of a material during a fire. These hazards are divided into health, flammability, and reactivity hazards and appear in a well-known diamond system using from zero through four to indicate severity of the hazard. Zero indicates no special hazard and four indicates severe hazard.

**NIOSH** - The National Institute for Occupational Safety and Health; a federal agency that among its various responsibilities trains occupational health and safety professionals, conducts research on health and safety concerns, and tests and certifies respirators for workplace use.

**ODOR THRESHOLD** - The minimum concentration of a substance at which a majority of test subjects can detect and identify the substance's characteristic odor.

**OXIDIZER** - Is a substance that gives up oxygen easily to stimulate combustion of organic material.

**PERMISSIBLE EXPOSURE LIMIT (PEL)** - An exposure, inhalation or dermal permissible exposure limit specified in 8CCR5155. PELs may be either a time-weighted average (TWA) exposure limit (8hour), a 15-minute short-term limit (STEL), or a ceiling (C).

**PERSONAL PROTECTIVE EQUIPMENT** - Any devices or clothing worn by the worker to protect against hazards in the environment. Examples are lab coats, respirators, gloves, and chemical splash goggles.

**PHYSICAL HAZARD** - A chemical for which there is scientifically valid evidence that it is a combustible liquid, a compressed gas, explosive, flammable, an organic peroxide, an oxidizer, pyrophoric, unstable (reactive), or water-reactive.

**PYROPHORIC** - A chemical that will spontaneously ignite in the air at a temperature of 130oF (54.4°C) or below.

**REACTIVITY** - A substance's susceptibility to undergoing a chemical reaction or change that may result in dangerous side effects, such as explosion, burning, and corrosive or toxic emissions. The conditions that cause the reaction, such as heat, other chemicals, and dropping, will usually be specified as "Conditions to Avoid" when a chemical's reactivity is discussed on an MSDS.

**REPRODUCTIVE TOXINS** - Chemicals which affect the reproductive capabilities including chromosomal damage (mutations) and effects on fetuses (teratogenesis).

**RESPIRATOR** - A device which is designed to protect the wearer from inhaling harmful contaminants.

**RESPIRATORY HAZARD** - A particular concentration of an airborne contaminant that, when it enters the body by way of the respiratory system or by being breathed into the lungs, results in some body function impairment.

**SAFETY DATA SHEET (SDS)** - Written or printed material concerning a hazardous chemical which is prepared in accordance with paragraph (g) of 29 CFR 1910.1200.

**SELECT CARCINOGENS** - Any substance which meets one of the following:

1. It is regulated by OSHA as a carcinogen; or
2. It is listed under the category, "known to be carcinogens," in the Annual Report on Carcinogens published by the National Toxicology Program (NTP) (latest edition); or
3. It is listed under Group 1 ("carcinogen to humans") by the International Agency for Research on Cancer Monographs (IARC) (latest editions); or
4. It is listed in either Group 2A or 2B by IARC or under the category, "reasonably anticipated to be carcinogens" by NTP.

**SENSITIZER** - A substance that may cause no reaction in a person during initial exposures, but afterwards, further exposures will cause an allergic response to the substance.

**SHORT-TERM EXPOSURE LIMIT** - Represented as STEL or TLV-STEL, this is the maximum concentration to which workers can be exposed for a short period of time (15 minutes) for only four times throughout the day with at least one hour between exposures. Also the daily TLV-TWA must not be exceeded.

**SOLVENT** - A substance, commonly water, but in industry often an organic compound, which dissolves another substance.

**THRESHOLD LIMIT VALUE (TLV)** - Airborne concentration of substances devised by the ACGIH that represents conditions under which it is believed that nearly all workers may be exposed day after day with no adverse effect. TLVs are advisory exposure guidelines, not legal standards, that are based on evidence from industrial experience, animal studies, or human studies when they exist. There are three different types of TLVs: Time-Weighted Average (TLV-TWA), Short-Term Exposure Limit (TLV-STEL), and Ceiling (TLV-C). (See also PEL).

**TOXICITY** - A relative property of a material to exert a poisonous effect on humans or animals and a description of the effect and the conditions or concentration under which the effect takes place.

**VAPOR** - The gaseous form of substances which are normally in the liquid or solid state (at normal room temperature and pressure). Vapors evaporate into the air from liquids such as solvents. Solvents with lower boiling points will evaporate faster.

## Resource Documents

[www.ehs.ucr.edu/laboratory/ucregentsagreement/](http://www.ehs.ucr.edu/laboratory/ucregentsagreement/)

Particularly Hazardous Substances Definitions

Cal/OSHA Regulated Carcinogen List

Cal/OSHA Listed Carcinogen List

Peroxide Formers Common to Laboratories

Chemical Segregation List

Spill Cleanup Guidance Document

Training Forms

Inspection Checklist

Lab Hazard Assessment Tool

PPE Guidance